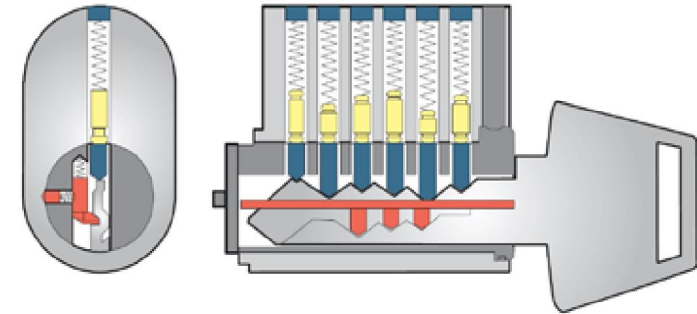


## HS Range



High security cylinder range for doors subject to a high frequency of careless use.

An 9 pin range with 250,000 useable differs, unauthorised key duplication is prevented by international patents.

This cylinder range is resistant to all known forms of picking and manipulation and has anti-drill pins and features. Key duplication restrictions is standard.

Our HS Range has a large numbers of locking options, with some cabinet locking solutions and padlocks, in addition to the following range of cylinders:-

- Euro Profile, with anti-barricade clutch function available
- British Oval Profile
- Scandinavian Oval Profile
- Round Rim
- Threaded Rim & ANSI Profile

This product has extensive master keying capabilities and is suitable for large and complicated master systems.

Available in seven finishes.

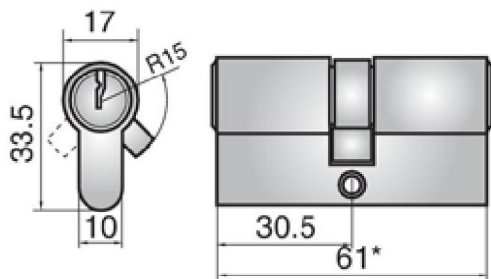
- Satin chrome
- Polished chrome
- Satin stainless steel effect
- Polished brass
- Satin brass
- Antique brass
- Imitation bronze metal antique

Security rating is to EN1303 Security Grade 6-2.

This product range is available at WTL Key Security Level 2 (see page 16).



## HS Range Euro Profile

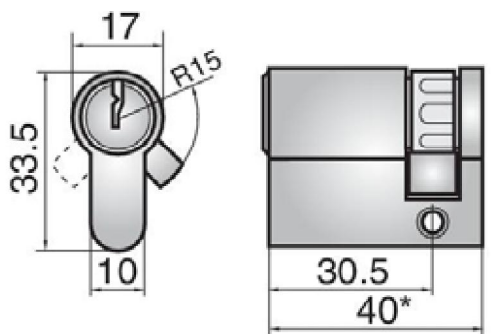


### Euro profile double cylinder.

Available from 61mm to 141mm as offset or even sided cylinders.

Please note, for offset cylinders the maximum dimension of each side is 70.5mm.

**Prod Code**  
AS4800-ED-X-X-X

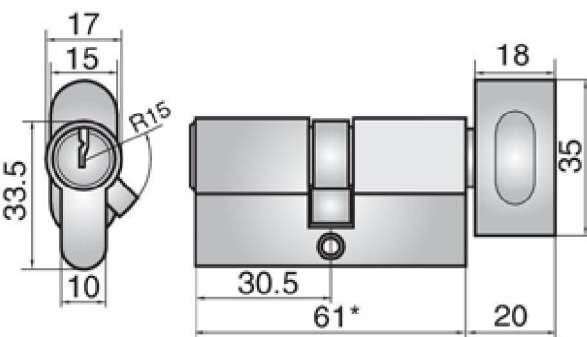


### Euro profile single cylinder.

Available from 40mm to 80mm.

The cam position is user adjustable for key switches etc.

**Prod Code**  
AS4800-ES-X-X-X



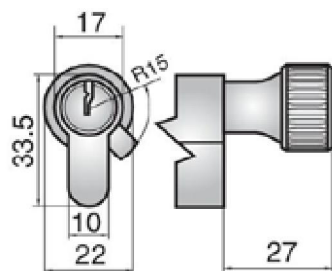
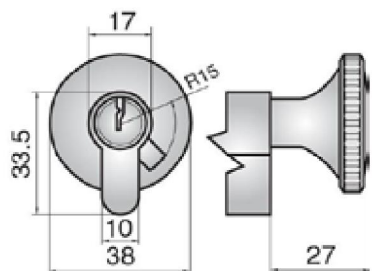
### Euro profile cylinder and turn.

Available from 61mm to 141mm as offset or even sided cylinders.

Please note, for offset cylinders the maximum dimension of each side is 70.5mm.

This product is available with either the oval turn or either of the turns below

**Prod Code**  
AS4800-ETO-X-X-X

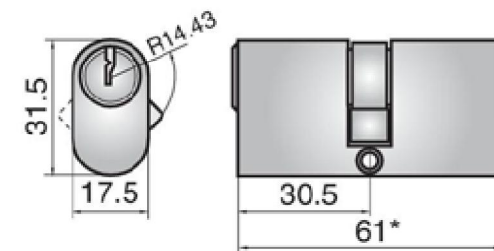


## HS Range British Oval Profile

### British Oval profile double cylinder.

Available even sided cylinders in sizes 61mm, 71mm and 81mm.

**Prod Code**  
AS4800-OD-X-X-X

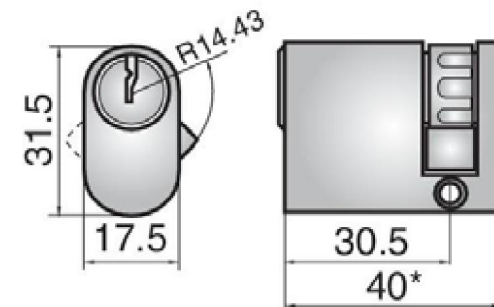


### British Oval profile single cylinder.

Available from 40mm, 45mm and 50mm.

The cam position is user adjustable for key switches etc.

**Prod Code**  
AS4800-OS-X-X-X

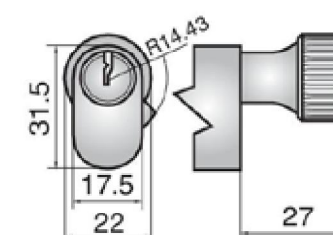
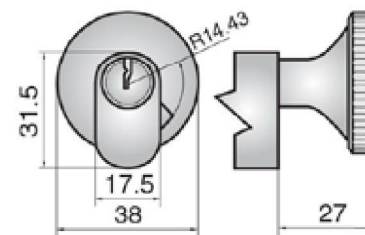
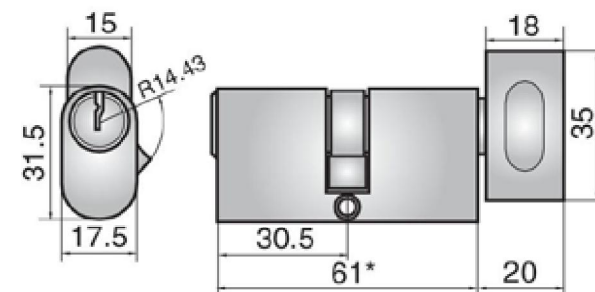


### British Oval profile cylinder and turn.

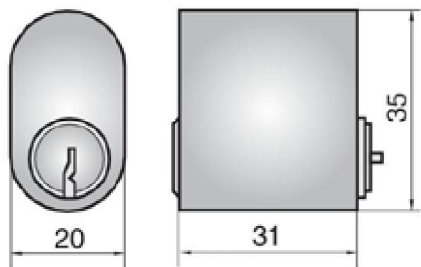
Available even sided cylinders in sizes 61mm, 71mm and 81mm..

This product is available with either the oval turn or either of the turns below

**Prod Code**  
AS4800-OTO-X-X-X



## HS Range Scandinavian Oval Profile

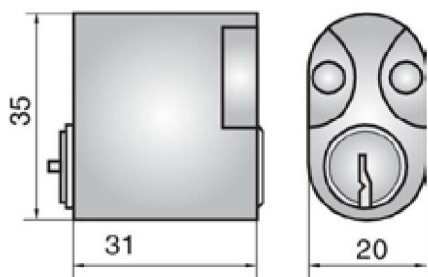


### Scandinavian oval external cylinder.

For use with scandinavian locks.

This cylinder can be extended with the extension pieces on page 173.

**Prod Code**  
AS4800-SE-X

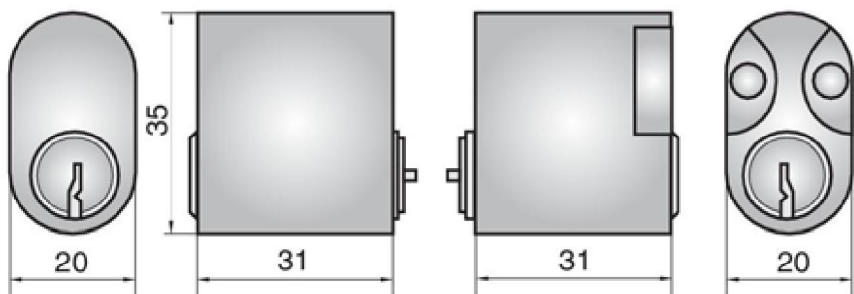


### Scandinavian oval internal cylinder.

For use with scandinavian locks.

This cylinder can be extended with the extension pieces on page 173.

**Prod Code**  
AS4800-SI-X



### Scandinavian oval double cylinder.

For use with scandinavian locks.

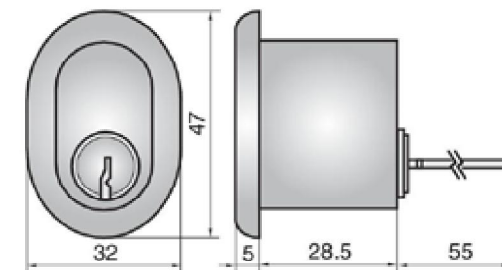
This cylinder can be extended with the extension pieces on page 173.

**Prod Code**  
AS4800-SD-X

### Scandinavian oval rim external cylinder.

For use with certain scandinavian locks.

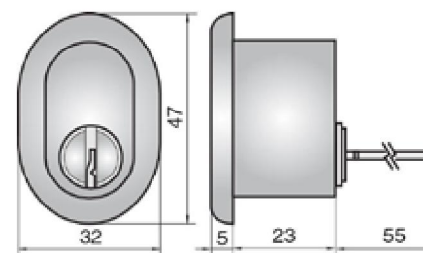
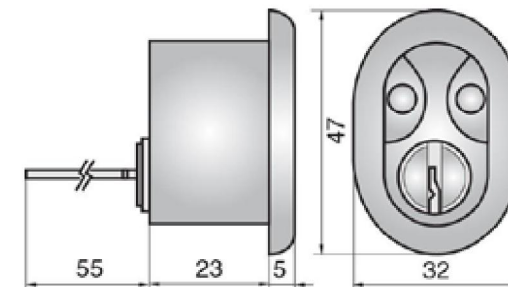
**Prod Code**  
AS4800-SRE-X



### Scandinavian oval rim internal cylinder.

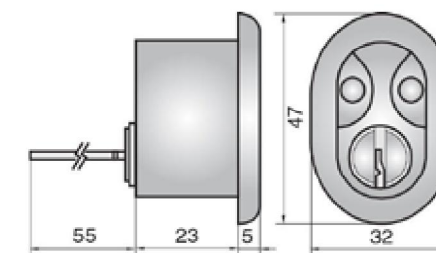
For use with certain scandinavian locks.

**Prod Code**  
AS4800-SRI-X



### Scandinavian oval rim double cylinder.

For use with certain scandinavian locks.



**Prod Code**  
AS4800-SRD-X

## HS Range Scandinavian Round

**Scandinavian round external cylinder.**  
Very high security cylinder for use with scandinavian locks.

Prod Code  
AS4800-RE-X

**Scandinavian round internal cylinder.**  
Very high security cylinder for use with scandinavian locks.

Prod Code  
AS4800-RI-X

**Scandinavian round double cylinder.**  
Very high security cylinder for use with scandinavian locks.

Prod Code  
AS4800-RD-X

## HS Range Round Profile

**Rim cylinder.**  
Rim cylinder for use with British style rim night latches.

Prod Code  
AS4800-RIM-X

**Round threaded external cylinder.**  
Threaded cylinder for use on aluminium doors.

Prod Code  
AS4800-RITEE-X

**Round threaded double cylinder.**  
Threaded cylinder for use on aluminium doors.

Prod Code  
AS4800-RITED-X

## HS Range Padlocks

### Closed Shackle Security Grade 5

Highest security padlock tested to EN12320 Grade 6.

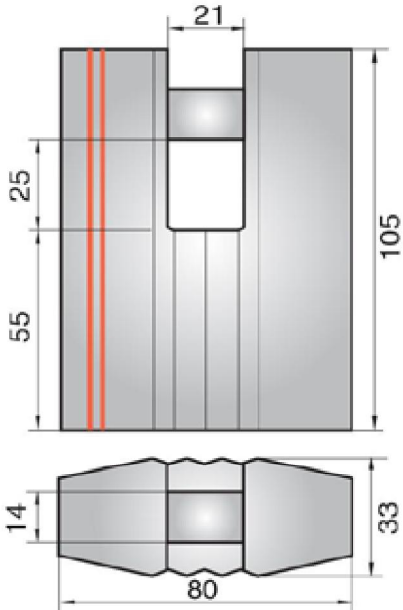
Body of hardened steel with a black chrome plate.

Shackle of rust-proofed hardened steel.

Drainage holes to prevent body freezing.

Tensile strength over 10 tons.

Key is retained until locked.



Prod Code  
AS4800-PAD8



### Open Shackle Security Grade 4

High security padlock tested to EN12320 Grade 4.

Body of hardened steel with a black chrome plate.

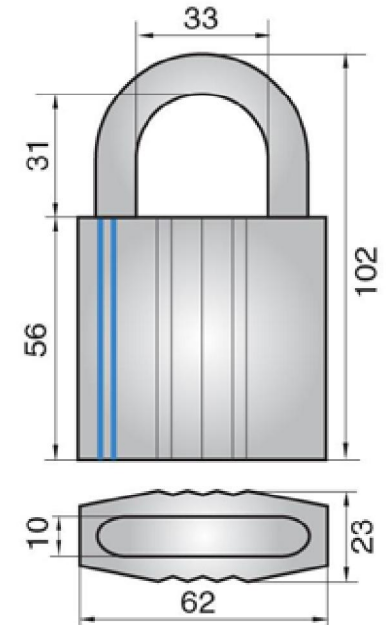
Shackle of rust-proofed hardened steel.

Drainage holes to prevent body freezing.

Tensile strength over 4.5 tons.

Key is retained until locked.

Prod Code  
AS4800-PAD6



### Closed Shackle Security Grade 4

Very high security padlock tested to EN12320 Grade 4.

Body of hardened steel with a black chrome plate.

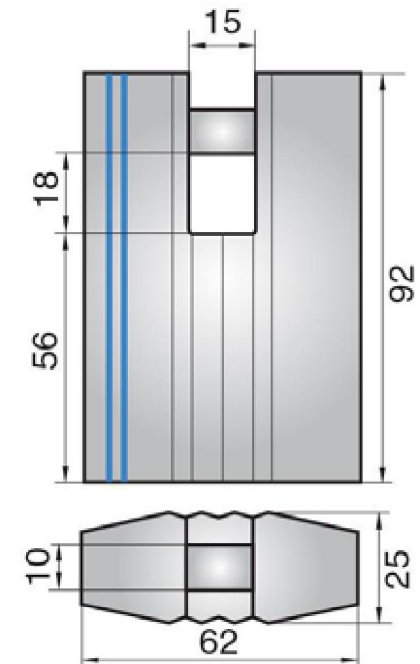
Shackle of rust-proofed hardened steel.

Drainage holes to prevent body freezing.

Tensile strength over 4.5 tons.

Key is retained until locked.

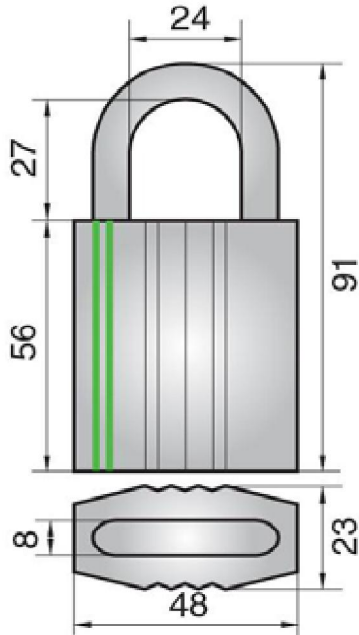
Prod Code  
AS4800-PAD5



## HS Range Padlocks (cont'd)

### Open 8mm Shackle Security Grade 3

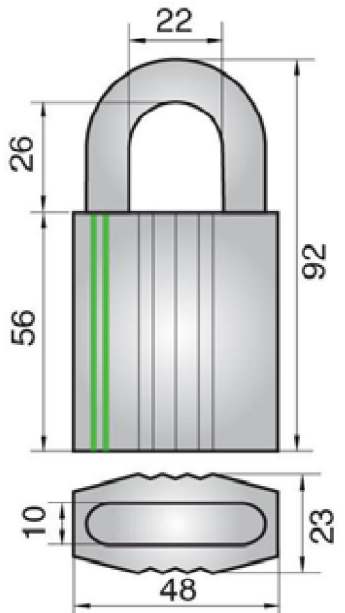
Security padlock tested to EN12320 Grade 3.  
 Body of extruded brass with a black chrome plate.  
 Shackle of rust-proofed hardened steel.  
 Drainage holes to prevent body freezing.  
 Tensile strength over 1.5 tons.  
 Key is retained until locked.



Prod Code  
 AS4800-PAD4

### Open 10mm Shackle Security Grade 3

Security padlock tested to EN12320 Grade 3.  
 Body of extruded brass with a black chrome plate.  
 Shackle of rust-proofed hardened steel.  
 Drainage holes to prevent body freezing.  
 Tensile strength over 1.5 tons.  
 Key is retained until locked.



Prod Code  
 AS4800-PAD3

### Extended Shackle Security Grade 3

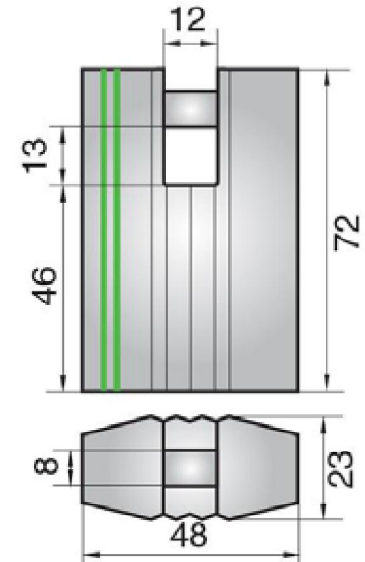
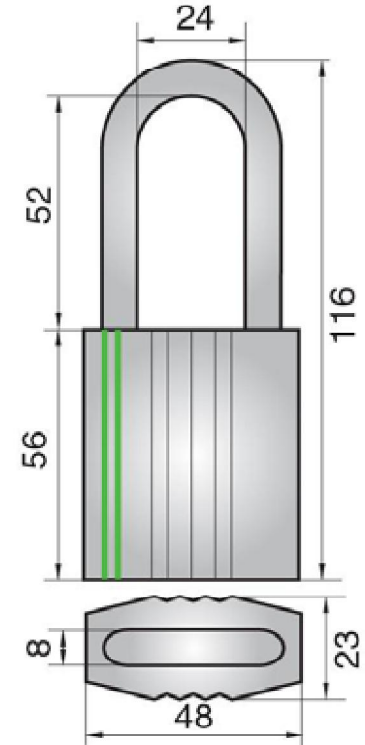
Security padlock tested to EN12320 Grade 3.  
 Body of extruded brass with a black chrome plate.  
 Shackle of rust-proofed hardened steel.  
 Drainage holes to prevent body freezing.  
 Tensile strength over 1.5 tons.  
 Key is retained until locked.

Prod Code  
 AS4800-PAD2

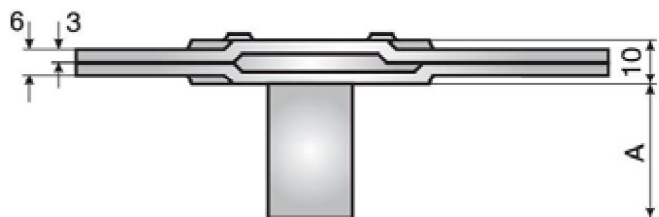
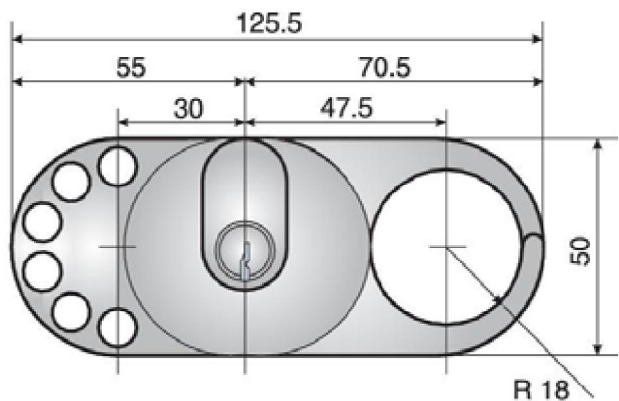
### Closed Shackle Security Grade 3

High security padlock tested to EN12320 Grade 3.  
 Body of extruded brass with a black chrome plate.  
 Shackle of rust-proofed hardened steel.  
 Drainage holes to prevent body freezing.  
 Tensile strength over 1.5 tons.  
 Key is retained until locked.

Prod Code  
 AS4800-PAD1

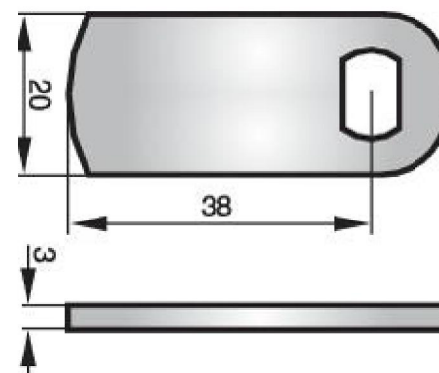
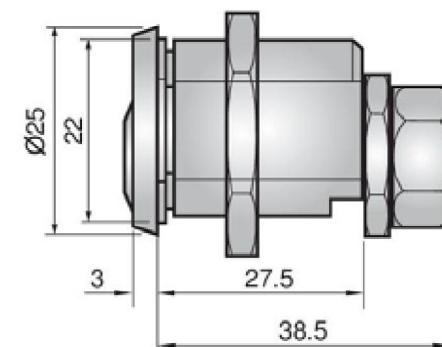
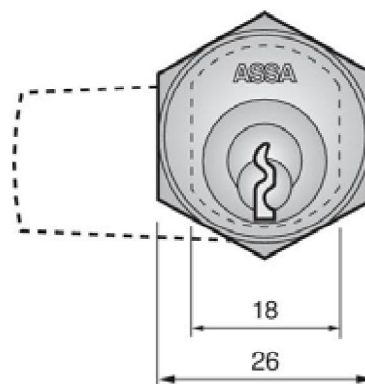


## HS Range Facility Manager's Blocking Lock



Prod Code  
AS4800-BLOCK

## HS Range Cam Lock



Prod Code  
AS4800-CAM