

Our PG range of Medium Duty Return Flange Cable Tray and accessories (pages x-x) are manufactured in the UK in accordance to BS 61537:2007, from pre-coated galvanised steel to the requirements of EN10142 (BS2989).

Performance characteristics are as shown in the deflection graph (below).

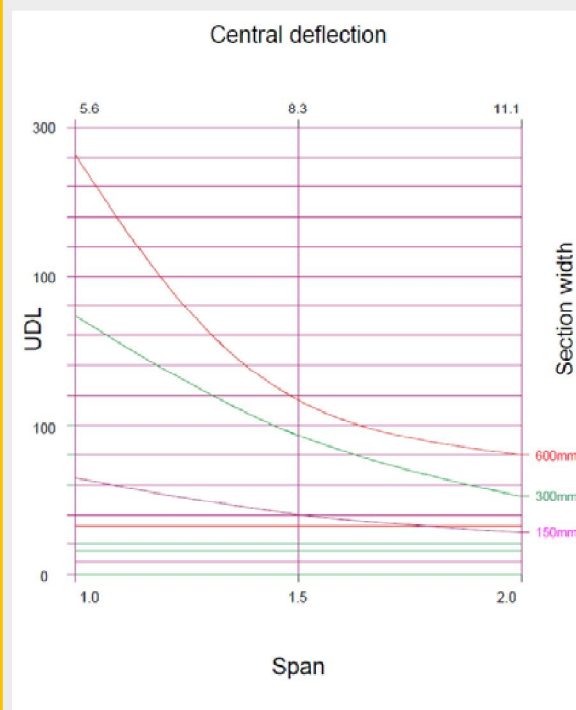
Performance characteristics given are nominal indication of the safe working loads that can be expected for the cable tray system on pages (x-x).

Zinc coating weight of 275g/m², providing a nominal coating of 0.015mm.

In accordance with EN13501-1:2002, it's behaviour in the event of a fire is classified as A1:Non combustible. (See page xxx for more details).

It is compatible with all of the bracket options on pages (x-x).

It is supplied in 3000mm lengths.



Definitions and units:

UDL (kg/m) - Uniformly Distributed Load. The load applied uniformly to each span, given a continuous multi-span condition.

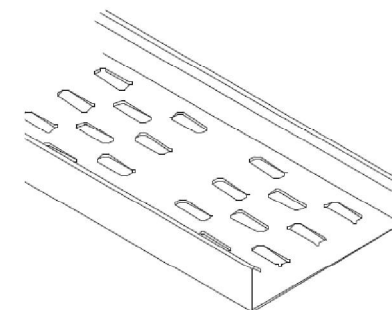
Span (m) - linear distance between section supports.

Central Deflection (mm) - The maximum vertical deflection (assumed at 1/180th of the span) mid-span central of the tray bed.

Section Width - The calculated maximum load requirement for a nominally 75% full cable situation, based on a net cable weight factor of 0.0021g/mm³. Indicated on the graph as coloured lines.

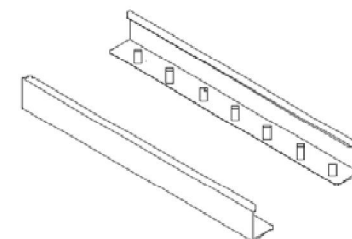
Medium Duty Cable Tray - Pre Galv

Width	Code
75mm	CTM075
100mm	CTM100
150mm	CTM150
225mm	CTM225
300mm	CTM300
450mm	CTM450
600mm	CTM600
750mm	CTM750
900mm	CTM900



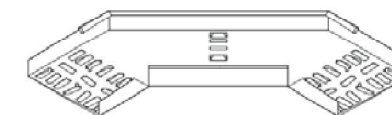
Medium Duty Coupler - Pre Galv

Width	Code
75mm	CTM951
100mm	CTM951
150mm	CTM951
225mm	CTM951
300mm	CTM951
450mm	CTM951
600mm	CTM951
750mm	CTM951
900mm	CTM951

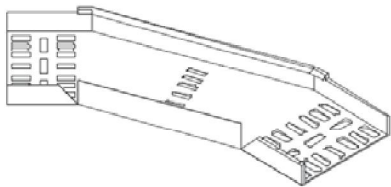


Medium Duty 90° Bend - Pre Galv

Width	Code
75mm	CTM075
100mm	CTM100
150mm	CTM150
225mm	CTM225
300mm	CTM300
450mm	CTM450
600mm	CTM600
750mm	CTM750
900mm	CTM900

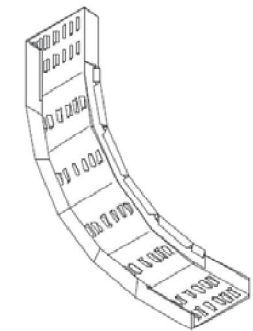


Medium Duty 45° Bend - Pre Galv



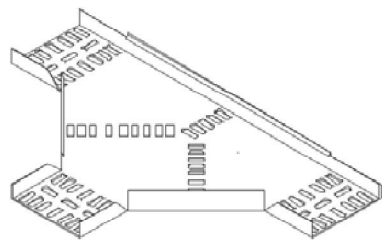
Width	Code
75mm	CTM075
100mm	CTM100
150mm	CTM150
225mm	CTM225
300mm	CTM300
450mm	CTM450
600mm	CTM600
750mm	CTM750
900mm	CTM900

Medium Duty Internal Riser - Pre Galv



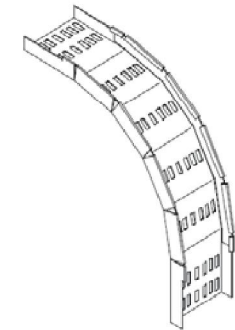
Width	Code
75mm	CTM075
100mm	CTM100
150mm	CTM150
225mm	CTM225
300mm	CTM300
450mm	CTM450
600mm	CTM600
750mm	CTM750
900mm	CTM900

Medium Duty Tee - Pre Galv



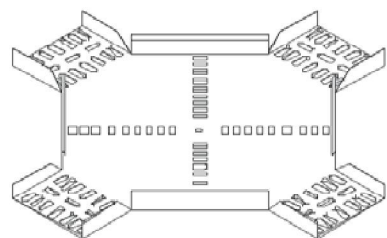
Width	Code
75mm	CTM075
100mm	CTM100
150mm	CTM150
225mm	CTM225
300mm	CTM300
450mm	CTM450
600mm	CTM600
750mm	CTM750
900mm	CTM900

Medium Duty External Riser - Pre Galv



Width	Code
75mm	CTM075
100mm	CTM100
150mm	CTM150
225mm	CTM225
300mm	CTM300
450mm	CTM450
600mm	CTM600
750mm	CTM750
900mm	CTM900

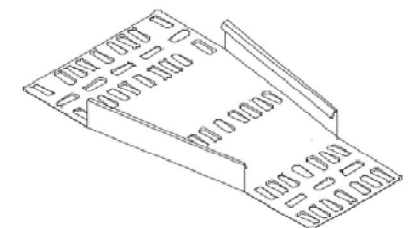
Medium Duty Four Way - Pre Galv



Width	Code
75mm	CTM075
100mm	CTM100
150mm	CTM150
225mm	CTM225
300mm	CTM300
450mm	CTM450
600mm	CTM600
750mm	CTM750
900mm	CTM900

Medium Duty Graduated Reducer - Pre Galv

Heavy duty graduated reducers are available to adapt any size of heavy duty cable tray to any other size of heavy duty cable tray.



Heavy Duty Cable Tray - Pre-Galv

Our PG range of Heavy Duty Return Flange Cable Tray and accessories (pages x-x) are manufactured in the UK in accordance to BS 61537:2007, from pre-coated galvanised steel to the requirements of EN10142 (BS2989).

Performance characteristics are as shown in the deflection graph (below).

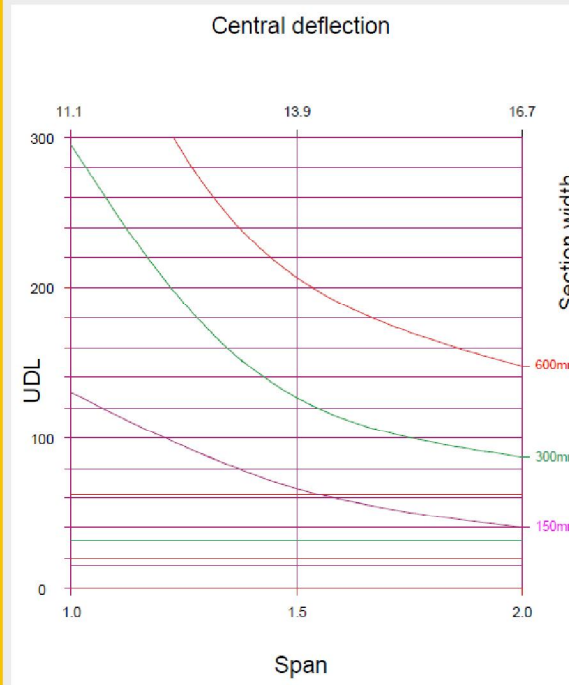
Performance characteristics given are nominal indication of the safe working loads that can be expected for the cable tray system on pages (x-x).

Zinc coating weight of 275g/m², providing a nominal coating of 0.015mm.

In accordance with EN13501-1:2002, it's behaviour in the event of a fire is classified as A1:Non combustible. (See page xxx for more details).

It is compatible with all of the bracket options on pages (x-x).

It is supplied in 3000mm lengths.



Definitions and units:

UDL (kg/m) - Uniformly Distributed Load. The load applied uniformly to each span, given a continuous multi-span condition.

Span (m) - linear distance between section supports.

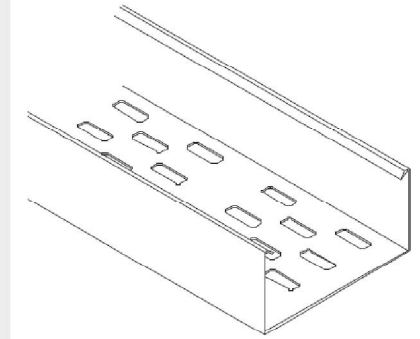
Central Deflection (mm) - The maximum vertical deflection (assumed at 1/180th of the span) mid-span central of the tray bed.

Section Width - The calculated maximum load requirement for a nominally 75% full cable situation, based on a net cable weight factor of 0.0021g/mm³. Indicated on the graph as coloured lines.

Heavy Duty Cable Tray - Pre-Galv

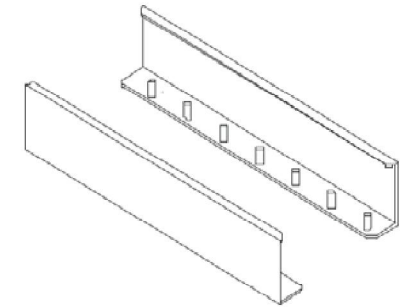
Heavy Duty Cable Tray - Pre Galv

Width	Code
75mm	CTH075
100mm	CTH100
150mm	CTH150
225mm	CTH225
300mm	CTH300
450mm	CTH450
600mm	CTH600
750mm	CTH750
900mm	CTH900



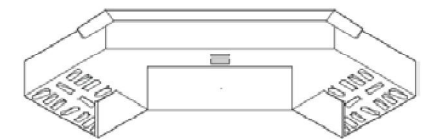
Heavy Duty Couplers (Prs) - Pre Galv

Width	Code
75mm	CTH951
100mm	CTH951
150mm	CTH951
225mm	CTH951
300mm	CTH951
450mm	CTH951
600mm	CTH951
750mm	CTH951
900mm	CTH951

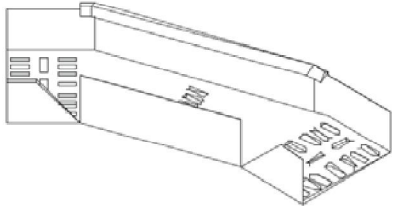


Heavy Duty 90° Bend - Pre Galv

Width	Code
75mm	CTH075
100mm	CTH100
150mm	CTH150
225mm	CTH225
300mm	CTH300
450mm	CTH450
600mm	CTH600
750mm	CTH750
900mm	CTH900

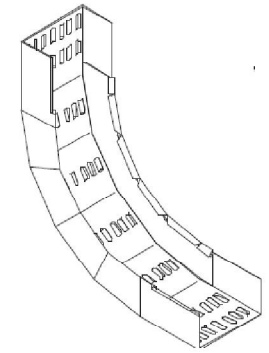


Heavy Duty 45° Bend - Pre Galv



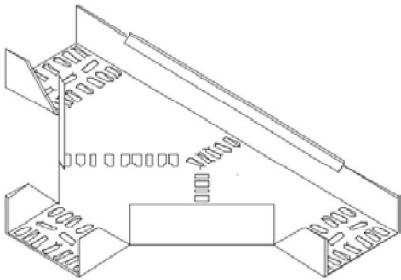
Width	Code
75mm	CTH075
100mm	CTH100
150mm	CTH150
225mm	CTH225
300mm	CTH300
450mm	CTH450
600mm	CTH600
750mm	CTH750
900mm	CTH900

Heavy Duty Internal Riser - Pre Galv



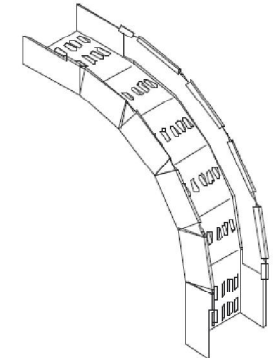
Width	Code
75mm	CTH075
100mm	CTH100
150mm	CTH150
225mm	CTH225
300mm	CTH300
450mm	CTH450
600mm	CTH600
750mm	CTH750
900mm	CTH900

Heavy Duty Tee - Pre Galv



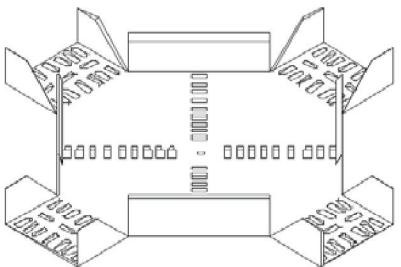
Width	Code
75mm	CTH075
100mm	CTH100
150mm	CTH150
225mm	CTH225
300mm	CTH300
450mm	CTH450
600mm	CTH600
750mm	CTH750
900mm	CTH900

Heavy Duty External Riser - Pre Galv



Width	Code
75mm	CTH075
100mm	CTH100
150mm	CTH150
225mm	CTH225
300mm	CTH300
450mm	CTH450
600mm	CTH600
750mm	CTH750
900mm	CTH900

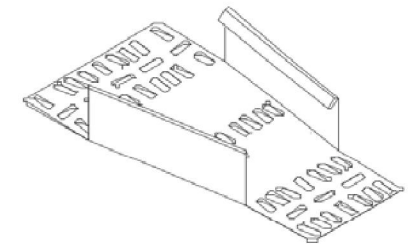
Heavy Duty Four Way - Pre Galv



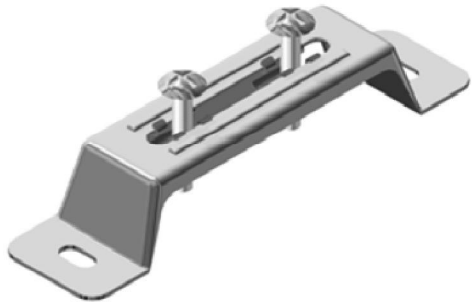
Width	Code
75mm	CTH075
100mm	CTH100
150mm	CTH150
225mm	CTH225
300mm	CTH300
450mm	CTH450
600mm	CTH600
750mm	CTH750
900mm	CTH900

Heavy Duty Graduated Reducer - Pre Galv

Heavy duty graduated reducers are available to adapt any size of heavy duty cable tray to any other size of heavy duty cable tray.



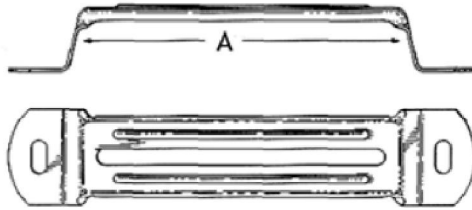
Stand Off Bracket with Clip - 25mm



Stand off brackets for cable tray with integral friction clips. Comes complete with the required amount of hardened M6x16mm BZP roofing bolts with a Pozi 2 recess.

Stand off is 25mm.

Manufactured in the UK from steel to EN10130:1999 and post zinc plated to BS1706-ZN2.



Width (A)	Clips (No.)	Code
50mm	1	CTB0
75mm	1	CTB1
100mm	2	CTB1A
150mm	2	CTB2
225mm	4	CTB3
300mm	4	CTB4
450mm	4	CTB5

Cantilever Arm



A heavy duty cantilever arm bracket for cable tray installations.

Slotted to received M6 roofing bolts.

Fixing holes have clearance for up to M10.

Can be clamped to framing channel and also fixed directly to vertical substrates.

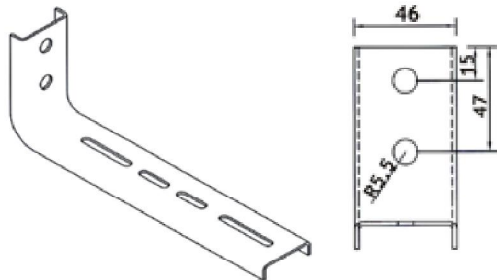
Suitable for 300mm cable tray.

Manufactured in the UK from pre-coated galvanised steel to the requirements of EN10346:2009.

Also available in hot dip galv finish (see page xx).

Code
CB300

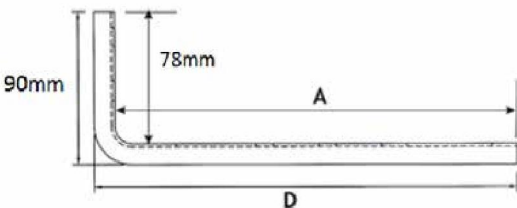
L Bracket



A medium duty L bracket for cable tray installations. Manufactured in the UK from pre-coated galvanised steel to the requirements of EN10346:2009.

Slotted to receive M6 roofing bolts (clearance up to M10).

Size (A)	Size (D)	Code
100mm	123mm	LB100
150mm	175mm	LB150
225mm	249mm	LB225
300mm	325mm	LB300



Double Cantilever Arm



A heavy duty double cantilever arm bracket for cable tray installations.

Slotted to received M6 roofing bolts on the lower tier.

Fixing holes have clearance for up to M10.

Can be clamped to framing channel, fixed directly to vertical substrates or suspended on threaded rod.

Manufactured in the UK from pre-coated galvanised steel to the requirements of EN10346:2009.

Suitable for 300mm cable tray.

Full details of this product are on page

Code
SB03

J Bracket

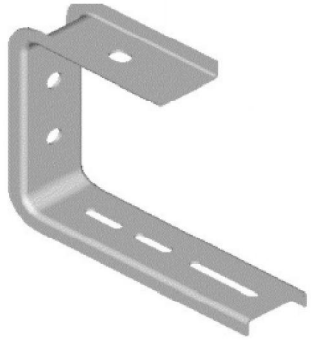


Image in here suspension

A medium duty J bracket for cable tray installations.

Slotted to receive M6 roofing bolts.

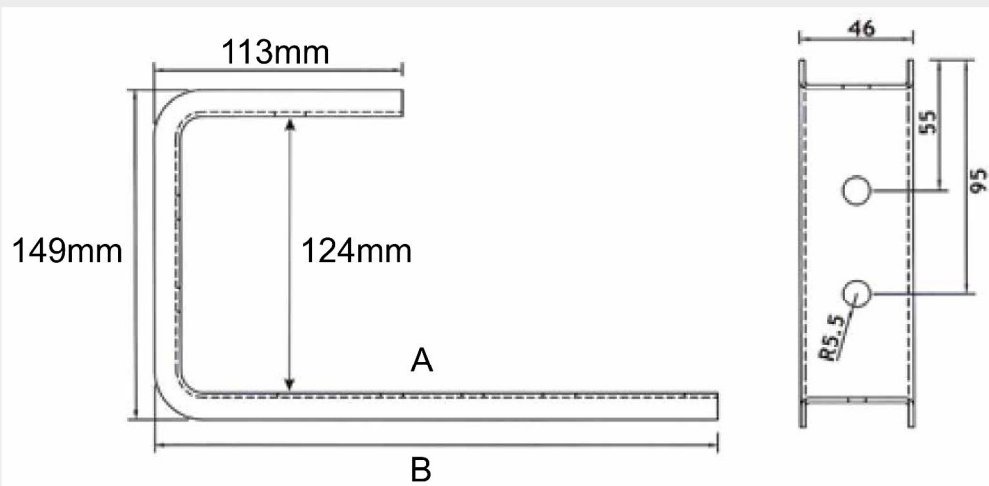
Fixing holes have clearance for up to M10.

Designed to be clamped to be fixed to ceiling mounted framing channel, fixed directly to horizontal substrates or suspended on threaded rod.

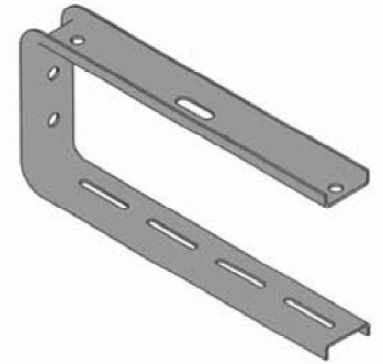
Manufactured in the UK from pre-coated galvanised steel to the requirements of EN10346:2009.

Also available in hot dip galv finish (see page xx).

Size (A)	Size (B)	Slots	Code
100mm	130mm	2	LBC100
150mm	180mm	3	LBC150
225mm	257mm	4	LBC225
300mm	332mm	5	LBC300



C Bracket



A medium duty C bracket for cable tray installations.

Slotted to receive M6 roofing bolts on lower tier. Fixing holes and slots and holes on top tier have clearance for up to M10.

Designed primarily to be suspended on threaded rod, but can be fixed directly to vertical or horizontal substrates or framing channel.

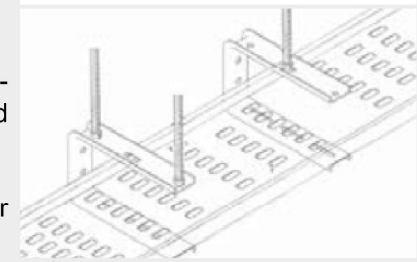
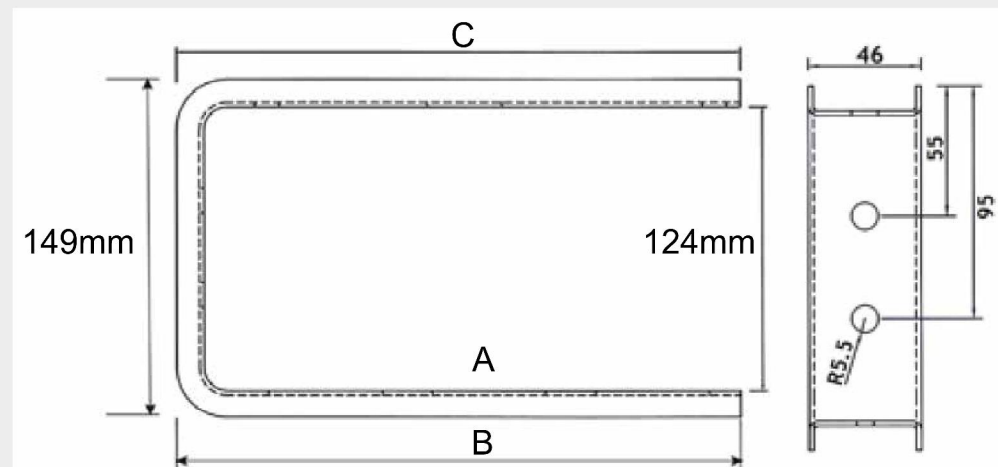
The top tier slot is centrally positioned for following joists or framing channel when suspending from one rod.

The top tier holes (centres in table) are for suspending from two rods and allows tray to be carried on both tiers.

C opening can be alternated from side to side for added rigidity.

Manufactured in the UK from pre-coated galvanised steel to the requirements of EN10346:2009. Also available in hot dip galv finish (see page xx).

Size (A)	Size (B)	Size (C)	Hole Centres	Code
225mm	268mm	268mm		LBCEL225
300mm	321mm	321mm		LBCEL300



Heavy Suspension Bracket - 300mm



A heavy duty suspension bracket for cable tray installations. Designed for suspension from threaded rod.

This bracket can also be used as a double cantilever arm bracket

Slotted to received M6 roofing bolts on the lower tier.

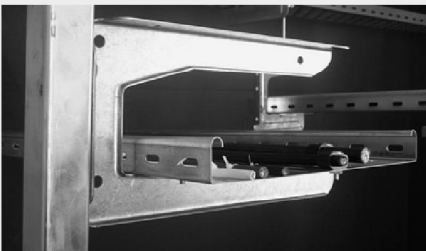
Fixing holes have clearance for up to M10.

Can be clamped to framing channel, fixed directly to vertical or horizontal substrates or suspended on threaded rod.

Suitable for cable tray up to 300mm.

Manufactured in the UK from pre-coated galvanised steel to EN10346:2009.

Also available in hot dip galv finish (see page xx).

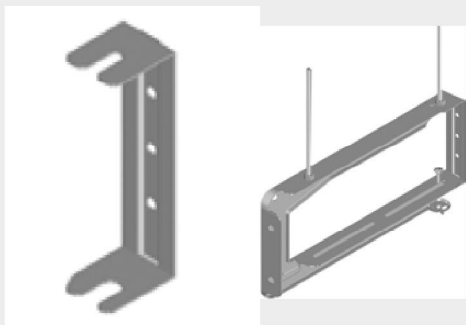


Code
SB03

Gate for suspension brackets.

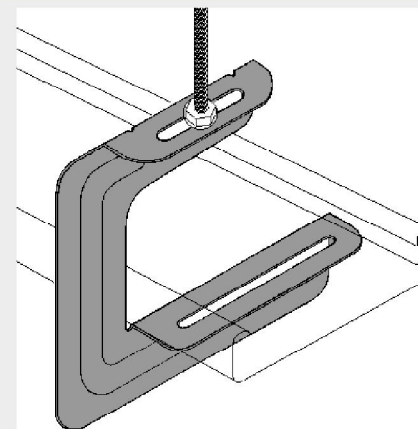
Compatible with our Codes SB03, LBCEL225 and LBCEL300.

Manufactured in the UK from pre-coated galvanised steel to EN10346:2009.



Code
SBES300

Heavy Suspension Bracket - 150mm



A heavy duty suspension bracket for cable tray installations. Designed for suspension from threaded rod.

Slotted to received M6 roofing bolts on the lower tier.

Top slot has clearance for up to M10.

Can be suspended on threaded rod from the top slot or clamped to M10 threaded rod via U grips for retro or multi tier installations.

Suitable for cable tray up to 150mm.

Manufactured in the UK from pre-coated galvanised steel to EN10346:2009.

Also available in hot dip galv finish (see page xx).



Code
SB01

Related	Page(s)
U Grips	xxx

Dimension drawing in here