

## ARRONE® AR900 Series Architectural Mortice Lock Cases

### AR910 Euro Profile Mortice Sashlock Case



#### Features

- Case: mild steel/black powder coated finish, pierced to accept bolt through furniture and escutcheons with 38mm centres
- Backset: 60mm (80mm backset also available)
- Centres: 72mm
- Latchbolt: nickel plated solid brass guided latchbolt, easily reversible without opening case
- Follower: 8mm zinc alloy follower (high copper content for additional strength) with spindle gripping feature
- Deadbolt: zinc alloy single throw with 20mm projection (high copper content for additional strength)
- Forend and striking plates available square or radius
- Suitable for sprung and most unsprung lever furniture
- Satin/polished stainless steel or polished brass forend and striking plate
- Intumescent kit available on request

#### Standards and certification



**Fire safety:** Included in a successful fire test to BS EN1634 Part 1. Assessed for use on 30 minutes, 60 minutes, 90 minutes and 120 minutes timber fire doors and 240 minutes on steel doors.\*



**CE marked:** Certificate 1121-CPD-AG0067



**Certifire approved product:** Certificate CF530



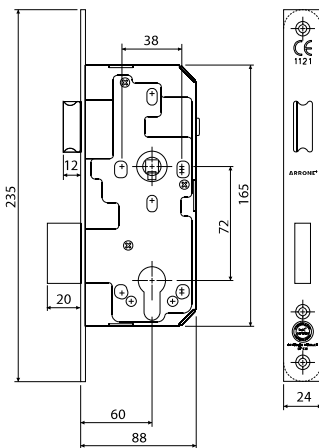
**Conformity statement:**  
Meets dimensional recommendations of BS8300 and ADM for locks

#### **CPR Declaration of Performance Certificate - HUK0007**

Available for Download - Go to [www.hoppe.co.uk/service/dop-certificates](http://www.hoppe.co.uk/service/dop-certificates)

#### Finishes

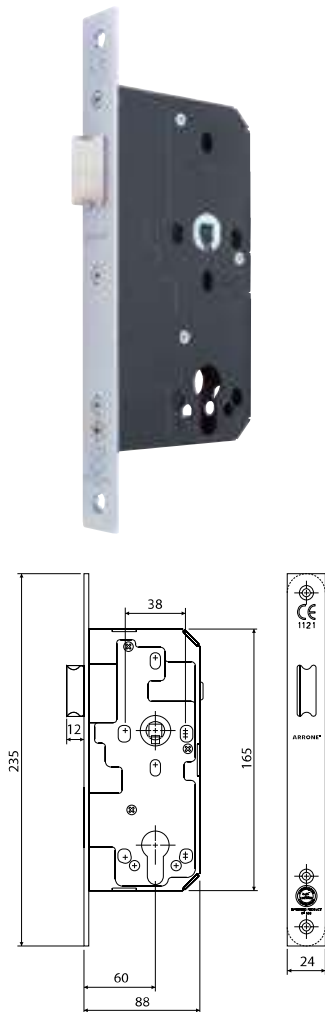
- Satin stainless steel, polished stainless steel, polished brass



\* The AR900 Series Lock Case has been successfully fire tested with the use of an intumescent kit, the supply and fitting of this intumescent kit is essential to the products compliance with the fire test & CE marking evidence it has gained, HOPPE takes no responsibility for any locks purchased and fitted without sufficient intumescent protection.

## ARRONE® AR900 Series Architectural Mortice Lock Cases

### AR911 Euro Profile Mortice Latch Case



#### Features

- Case: mild steel/black powder coated finish, pierced to accept bolt through furniture and escutcheons with 38mm centres
- Backset: 60mm (80mm backset also available)
- Latchbolt: nickel plated solid brass guided latchbolt, easily reversible without opening case
- Follower: 8mm zinc alloy follower (high copper content for additional strength) with spindle gripping feature
- Forend and striking plates available square or radius
- Suitable for sprung and most unsprung lever furniture
- Satin/polished stainless steel or polished brass forend and striking plate

#### Standards and certification



**Fire safety:** Included in a successful fire test to BS EN1634 Part 1. Assessed for use on 30 minutes, 60 minutes, 90 minutes and 120 minutes timber fire doors and 240 minutes on steel doors.\*



**CE marked:** Certificate 1121-CPD-AG0070



**Certifire approved product:** Certificate CF530



#### Conformity statement:

Meets dimensional recommendations of BS8300 and ADM for locks

#### CPR Declaration of Performance Certificate - HUK0009

Available for Download - Go to [www.hoppe.co.uk/service/dop-certificates](http://www.hoppe.co.uk/service/dop-certificates)

#### Finishes

- Satin stainless steel, polished stainless steel, polished brass

\* The AR900 Series Lock Case has been successfully fire tested with the use of an intumescent kit, the supply and fitting of this intumescent kit is essential to the products compliance with the fire test & CE marking evidence it has gained, HOPPE takes no responsibility for any locks purchased and fitted without sufficient intumescent protection.

## ARRONE® AR900 Series Architectural Mortice Lock Cases

### AR912 Euro Profile Mortice Deadlock Case



#### Features

- Case: mild steel/black powder coated finish, pierced to accept bolt through escutcheons with 38mm centres
- Backset: 60mm (80mm backset also available)
- Deadbolt: zinc alloy single throw with 20mm projection (high copper content for additional strength)
- Forend and striking plates available square or radius
- Satin/polished stainless steel or polished brass forend and striking plate

#### Standards and certification



**Fire safety:** Included in a successful fire test to BS EN1634 Part 1. Assessed for use on 30 minutes and 60 minutes timber fire doors and 240 minutes on steel doors.\*



**CE marked:** Certificate 1121-CPD-AG0068



**Certifire approved product:** Certificate CF530



#### Conformity statement:

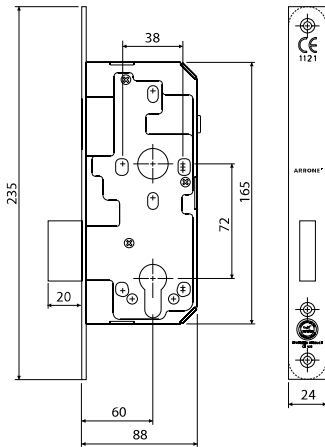
Meets dimensional recommendations of BS8300 and ADM for locks

#### CPR Declaration of Performance Certificate - HUK0008

Available for Download - Go to [www.hoppe.co.uk/service/dop-certificates](http://www.hoppe.co.uk/service/dop-certificates)

#### Finishes

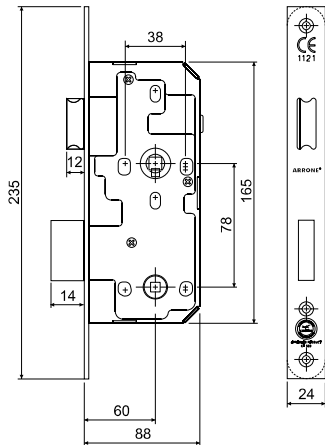
- Satin stainless steel, polished stainless steel, polished brass



\* The AR900 Series Lock Case has been successfully fire tested with the use of an intumescent kit, the supply and fitting of this intumescent kit is essential to the products compliance with the fire test & CE marking evidence it has gained, HOPPE takes no responsibility for any locks purchased and fitted without sufficient intumescent protection.

## ARRONE® AR900 Series Architectural Mortice Lock Cases

### AR913 Mortice Bathroom Lock



#### Features

- Case: mild steel/black powder coated finish, pierced to accept bolt through furniture and escutcheons with 38mm centres
- Backset: 60mm (80mm backset also available)
- Centres: 78mm
- Latchbolt: nickel plated solid brass guided latchbolt, easily reversible without opening case
- Follower: 8mm zinc alloy follower (high copper content for additional strength) with spindle gripping feature
- Also supplied with 5mm spindle sleeve for 5mm turn spindles
- Deadbolt: zinc alloy single throw with 14mm projection (high copper content for additional strength)
- Built in 90 degree stop position to stop overthrow of bathroom follower from large thumbturns
- Forend and striking plates available square or radius
- Suitable for sprung and most unsprung lever furniture
- Satin/polished stainless steel or polished brass forend and striking plate

#### Standards and certification



**Fire safety:** Included in a successful fire test to BS EN1634 Part 1. Assessed for use on 30 minutes and 60 minutes timber fire doors and 240 minutes on steel doors.\*



**CE marked:** Certificate 1121-CPD-AG0069



**Certifire approved product:** Certificate CF530



**Conformity statement:**

Meets dimensional recommendations of BS8300 and ADM for locks

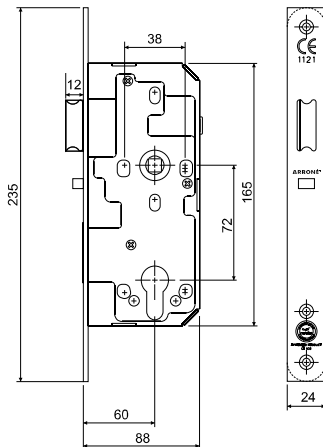
**CPR Declaration of Performance Certificate - HUK0010**

Available for Download - Go to [www.hoppe.co.uk/service/dop-certificates](http://www.hoppe.co.uk/service/dop-certificates)

#### Finishes

- Satin stainless steel, polished stainless steel, polished brass

\* The AR900 Series Lock Case has been successfully fire tested with the use of an intumescent kit, the supply and fitting of this intumescent kit is essential to the products compliance with the fire test & CE marking evidence it has gained, HOPPE takes no responsibility for any locks purchased and fitted without sufficient intumescent protection.



## ARRONÉ® AR900 Series Architectural Mortice Lock Cases

### AR914 Euro Profile Mortice Anti Thrust Nightlatch Case

#### Features

- Case: mild steel/black powder coated finish, pierced to accept bolt through furniture and escutcheons with 38mm centres
- Backset: 60mm
- Centres: 72mm
- Latchbolt: nickel plated solid brass guided latchbolt, easily reversible without opening case
- Latchbolt withdrawn by lever handle or key
- Follower: 8mm zinc alloy follower (high copper content for additional strength) with spindle gripping feature
- Forend and striking plates available square or radius
- Suitable for sprung and most unsprung lever furniture
- Satin/polished stainless steel or polished brass forend and striking plate
- AR228F - Half Spindle and AR914/915-HS-Plate Available for use with half sets of levers

#### Standards and certification



**Fire safety:** Included in a successful fire test to BS EN1634 Part 1. Assessed for use on 30 minutes and 60 minutes timber fire doors and 240 minutes on steel doors.\*



**CE marked:** Certificate 1121-CPD-AG0071



**Certifire approved product:** Certificate CF530



**Conformity statement:**

Meets dimensional recommendations of BS8300 and ADM for locks

**CPR Declaration of Performance Certificates - HUK0011 & HUK0035**

Available for Download - Go to [www.hoppe.co.uk/service/dop-certificates](http://www.hoppe.co.uk/service/dop-certificates)

#### Finishes

- Satin stainless steel, polished stainless steel, polished brass

\* The AR900 Series Lock Case has been successfully fire tested with the use of an intumescent kit, the supply and fitting of this intumescent kit is essential to the products compliance with the fire test & CE marking evidence it has gained, HOPPE takes no responsibility for any locks purchased and fitted without sufficient intumescent protection.

## ARRONE® AR900 Series Architectural Mortice Lock Cases

### AR916 Euro Profile Mortice Rollerbolt Lock Case



#### Features

- Case: mild steel/black powder coated finish, pierced to accept bolt through furniture and escutcheons with 38mm centres
- Backset: 60mm (80mm backset also available)
- Centres: 72mm
- Adjustable rollerbolt: nickel plated solid brass guided rollerbolt
- Deadbolt: zinc alloy single throw with 20mm projection (high copper content for additional strength)
- Forend and striking plates available square or radius
- Double lipped rollerbolt strikes available separately
- Satin stainless steel forend and striking plate

#### Standards and certification



**Fire safety:** Included in a successful fire test to BS EN1634 Part 1. Assessed for use on 30 minutes and 60 minutes timber fire doors and 240 minutes on steel doors.\*



**CE marked:** Certificate 1121-CPD-AG0247



**Certifire approved product:** Certificate CF530



#### Conformity statement:

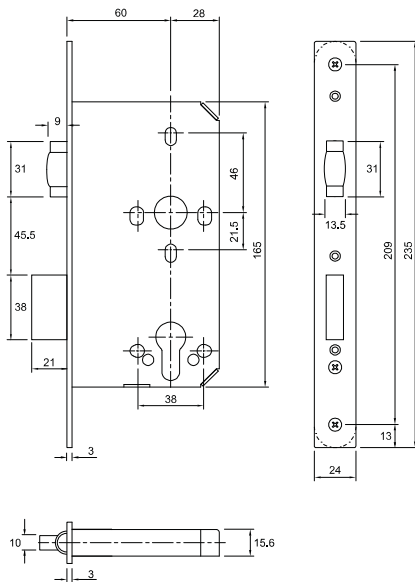
Meets dimensional recommendations of BS8300 and ADM for locks

#### CPR Declaration of Performance Certificate - HUK0013

Available for Download - Go to [www.hoppe.co.uk/service/dop-certificates](http://www.hoppe.co.uk/service/dop-certificates)

#### Finishes

- Satin stainless steel



\* The AR900 Series Lock Case has been successfully fire tested with the use of an intumescent kit, the supply and fitting of this intumescent kit is essential to the products compliance with the fire test & CE marking evidence it has gained, HOPPE takes no responsibility for any locks purchased and fitted without sufficient intumescent protection.

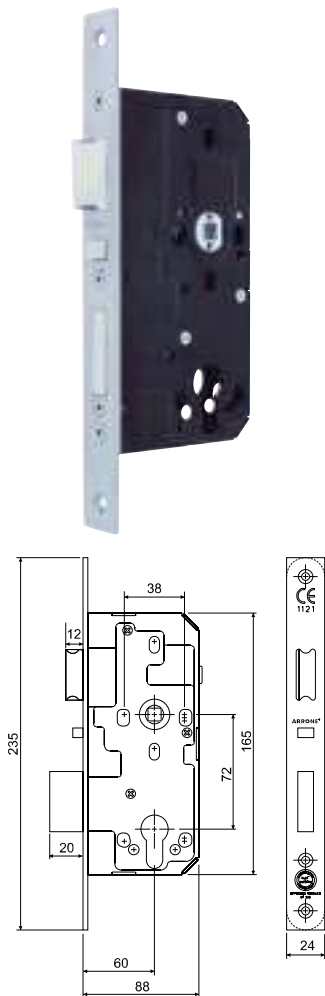
## ARRONE® AR900 Series Architectural Mortice Lock Cases

### AR915-APP & AR915-ESC Euro Profile Mortice Escape Lock Case

Suitable for timber and steel doors hinged on either the right or left which require key operation externally with a single action escape function internally.

#### Features

- Case – mild steel/black powder coated finish, pierced to accept bolt through furniture and escutcheons with 38mm centres
- Backset – 60mm
- Centres – 72mm
- Latchbolt – nickel plated solid brass guided latchbolt, easily reversible without opening case
- Follower – 8mm split follower with self locating plate to allow easy reversibility of the escape function. Follower made from sintered steel for additional strength and durability
- Version without split follower also available - AR915-ESC
- Deadbolt – zinc alloy single throw with 20mm projection (high copper content for additional strength)
- Forend and bevelled striking plates (for smooth operation) available square or radius
- Satin/polished stainless steel or polished brass forend and striking plate
- Supplied with AR228A - 100mm and AR228B - 120mm split spindles for 30mins and 1 hour timber fire doors and 4 hour steel doors
- AR228F - Half Spindle and AR914/915-HS-Plate Available for use with AR915-ESC version for half sets of levers
- 5 year guarantee



#### Standards and certification



**Fire safety:** Included in a successful fire test to BS EN1634 Part 1. Assessed for use on 30 minutes and 60 minutes timber fire doors and 240 minutes on steel doors.\*



**CE marked:** Certificate 1121-CPD-AG0165

**CE marked:** Certificate 1121-CPD-ABB010 (BSEN 179)



**Certifire approved product:** Certificate CF530



#### Conformity statement:

Meets dimensional recommendations of BS8300 and ADM for locks

#### CPR Declaration of Performance Certificates - HUK0012 & HUK0035

Available for Download - Go to [www.hoppe.co.uk/service/dop-certificates](http://www.hoppe.co.uk/service/dop-certificates)

#### Finishes

- Satin stainless steel, polished stainless steel, polished brass

\* The AR900 Series Lock Case has been successfully fire tested with the use of an intumescent kit, the supply and fitting of this intumescent kit is essential to the products compliance with the fire test & CE marking evidence it has gained, HOPPE takes no responsibility for any locks purchased and fitted without sufficient intumescent protection.

\* All of these products have been either tested with or assessed for use with the AR915 ARRONE® Plus Escape Lock and are listed in test reports/evidence.