

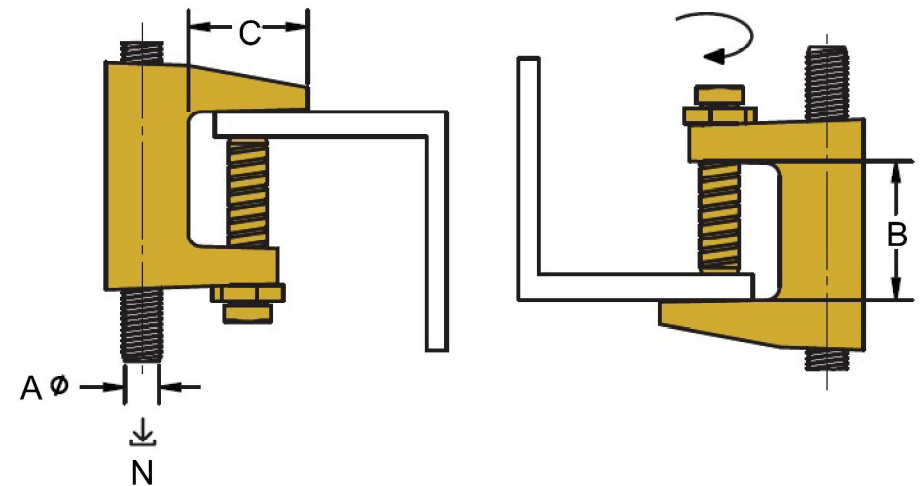
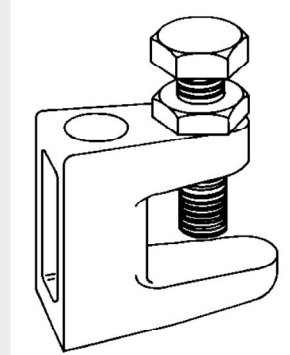
Image in here

Horizontal flange threaded

Standard Beam clamp

Bright Zinc Plated

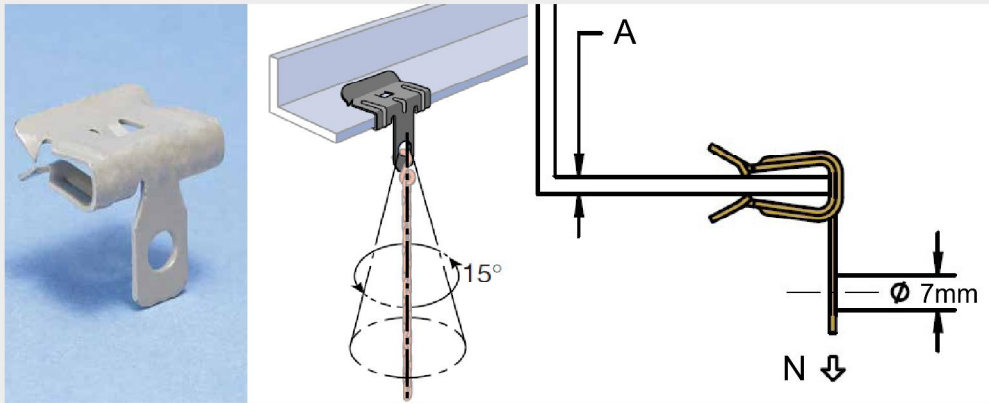
Unthreaded hole requires nuts.



Rod Diam (A)	Max Flange (B)	Max Depth (C)	Loading (N)	Code
M8	19mm	16mm	N/A	GHB08
M10	23mm	22mm	50 kg	GHB10
	31mm	21mm	110 kg	GHB20A
M12	23mm	34mm	75 kg	GHB12
	31mm	19mm	110 kg	GHB21B

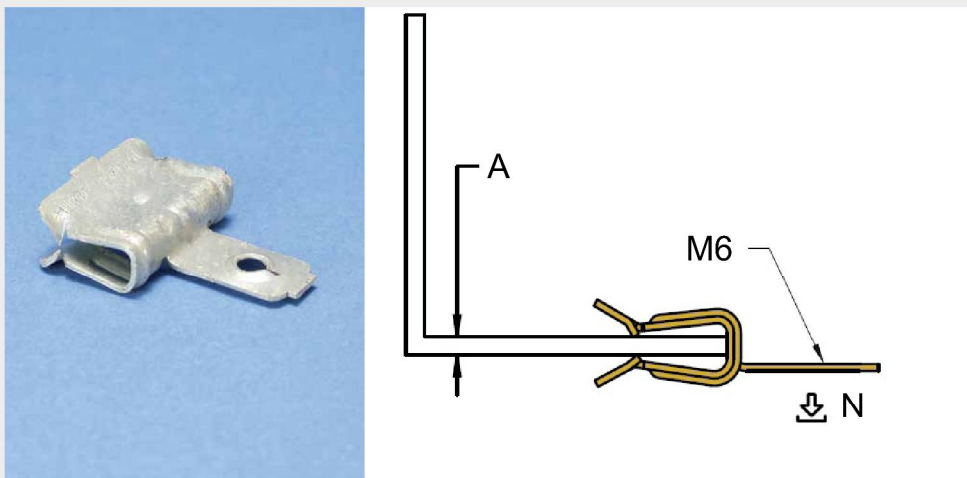
Related	Page(s)
17mm Sockets etc	xxx
Full range of 8.8 high tensile set screws	xxx

Horizontal flange suspension



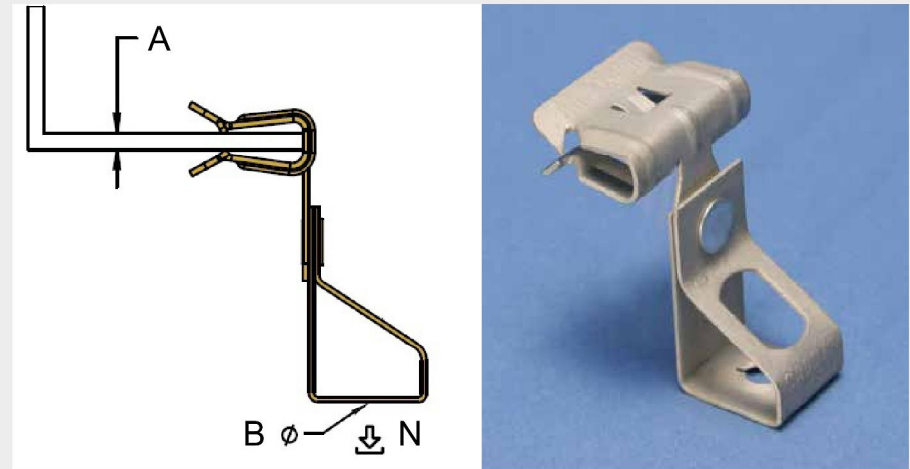
Flange (A)	Loading (N)	Pack Qty	Code
2-3mm	70 kg	25 No.	CAD160
3-8mm	90 kg	25 No.	CAD161
8-14mm	90 kg	25 No.	CAD162
14-20mm	90 kg	25 No.	CAD163

Horizontal Flange Light Duty Threaded



Flange (A)	Loading (N)	Pack Qty	Code
3-8mm	15 kg	25 No.	CAD150
8-14mm	15 kg	25 No.	CAD151

Horizontal flange threaded



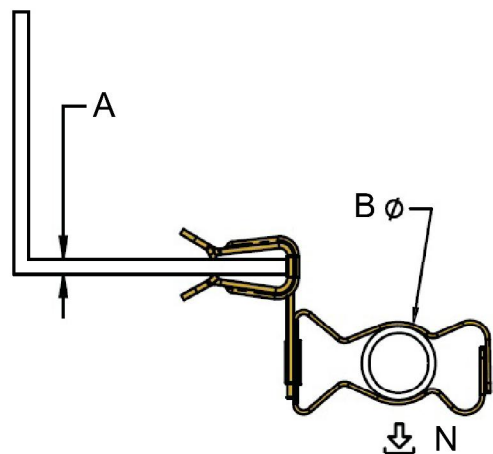
Flange (A)	Hole (B)	Loading (N)	Pack Qty	Code
3-8mm	M6	90 kg	10 No.	CAD245
	M8	90 kg	10 No.	CAD249
	M10	90 kg	10 No.	CAD253
8-14mm	M6	90 kg	10 No.	CAD246
	M8	90 kg	10 No.	CAD250
	M10	90 kg	10 No.	CAD254
14-20mm	M6	90 kg	10 No.	CAD247
	M8	90 kg	10 No.	CAD251
	M10	90 kg	10 No.	CAD255



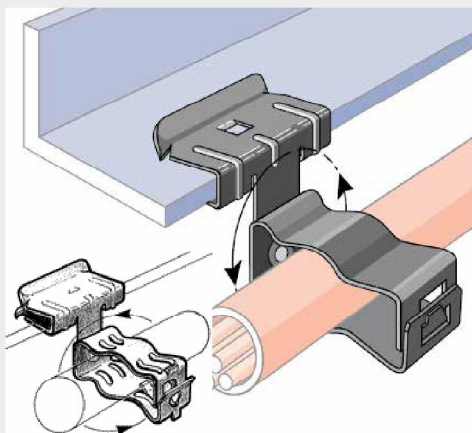
Related	Page(s)
17mm Sockets etc	xxx
Full range of 8.8 high tensile set screws	xxx

Beam Fixing - Horizontal Flange

X

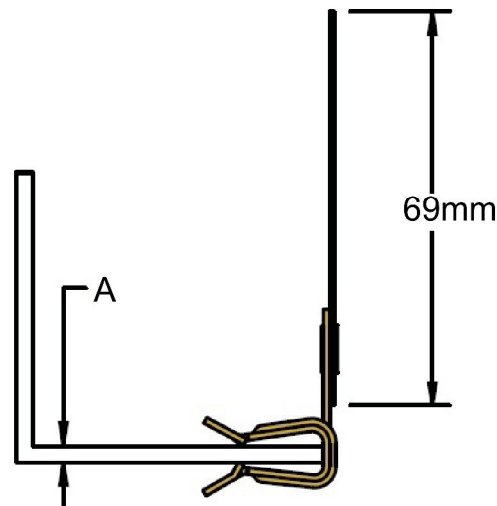


Flange (A)	Diam (B)	Loading (N)	Pack Qty	Code
3-8mm	18-30mm	12kg	10 No.	CAD175
	30-35mm	12kg	10 No.	CAD183
8-14mm	18-30mm	12kg	10 No.	CAD176
	30-35mm	12kg	10 No.	CAD184
14-20mm	18-30mm	12kg	10 No.	CAD177
	30-35mm	12kg	10 No.	CAD185

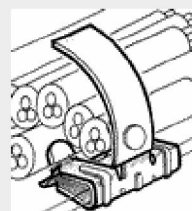


Beam Fixing - Horizontal Flange

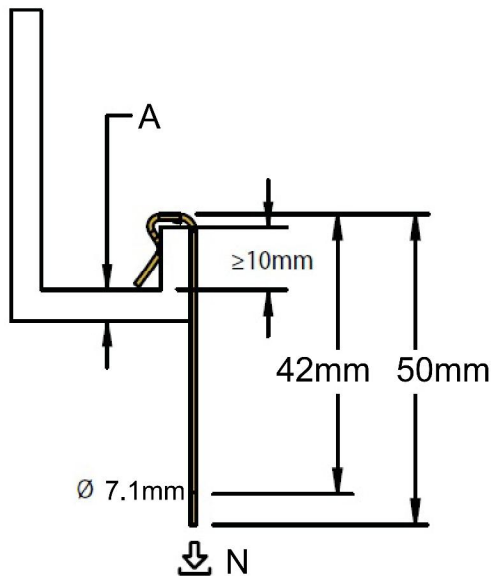
X



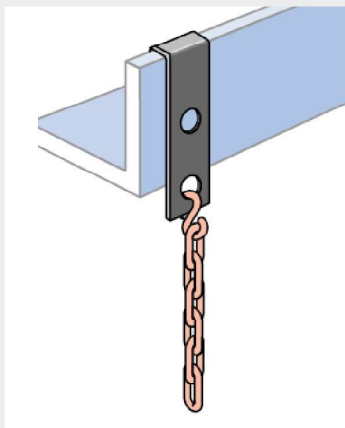
Flange (A)	Loading (N)	Pack Qty	Code
2-3mm	N/A	10 No.	CAD292
3-8mm	N/A	10 No.	CAD293
8-14mm	N/A	10 No.	CAD294
14-20mm	N/A	10 No.	CAD295



Vertical Flange Suspension

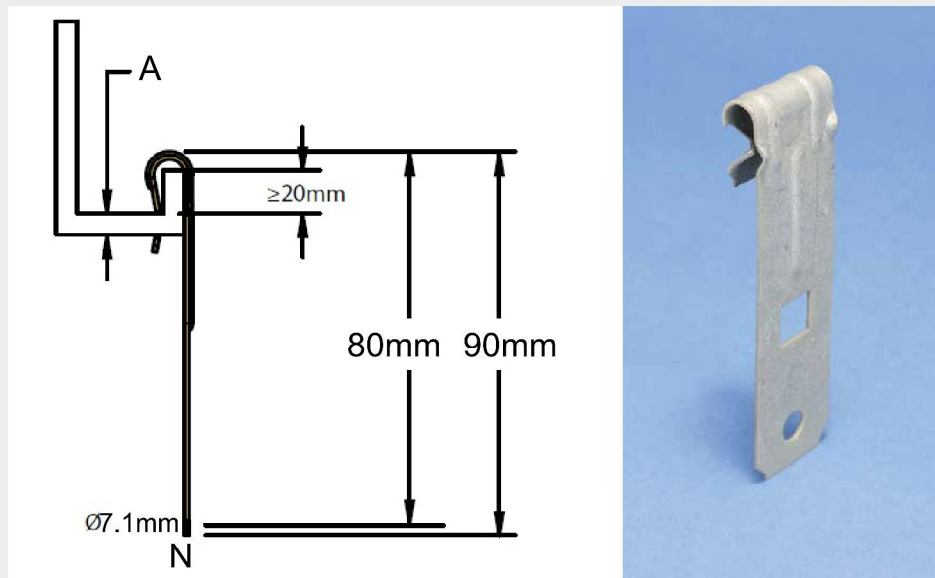


Flange (A)	Loading (N)	Pack Qty	Code
1.5-4mm	70 kg	25 No.	CAD400
4-6.5mm	70 kg	25 No.	CAD401



Related	Page(s)
17mm Sockets etc	xxx
Full range of 8.8 high tensile set screws	xxx

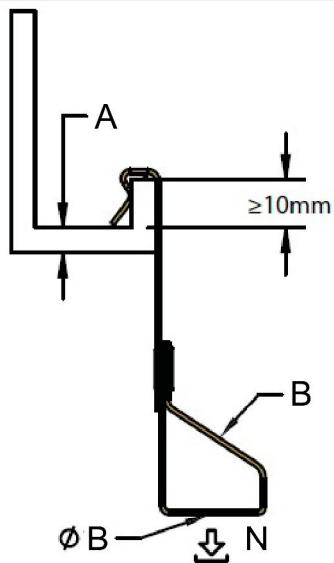
Vertical Flange Suspension



Flange (A)	Loading (N)	Pack Qty	Code
1.5-6mm	60 kg	10 No.	CAD499



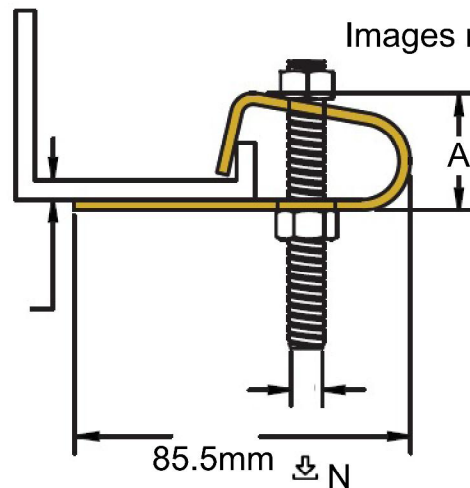
Vertical Flange Threaded



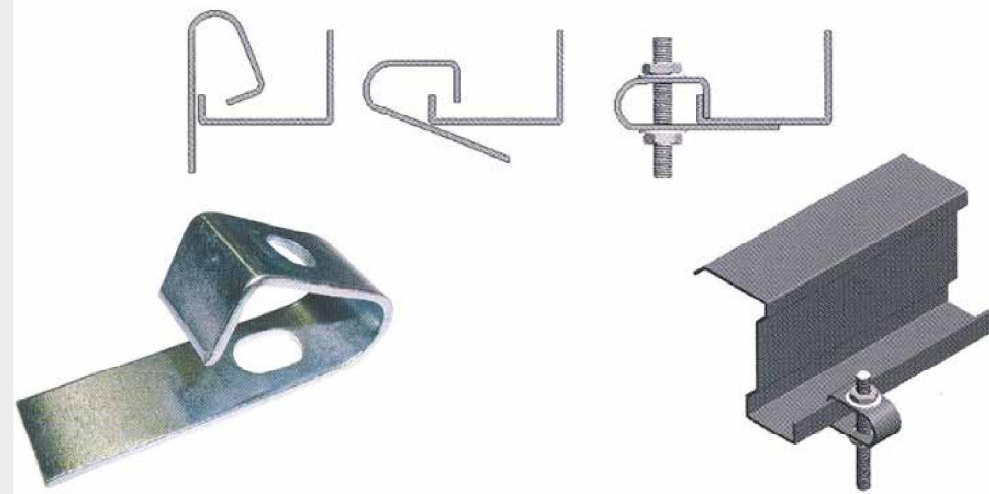
Flange (A)	Hole (B)	Loading (N)	Pack Qty	Code
3-8mm	M6	70 kg	10 No.	CAD410
	M8	70 kg	10 No.	CAD411
	M10	70 kg	10 No.	CAD412
8-14mm	M6	70 kg	10 No.	CAD413
	M8	70 kg	10 No.	CAD414
	M10	70 kg	10 No.	CAD415



XXX

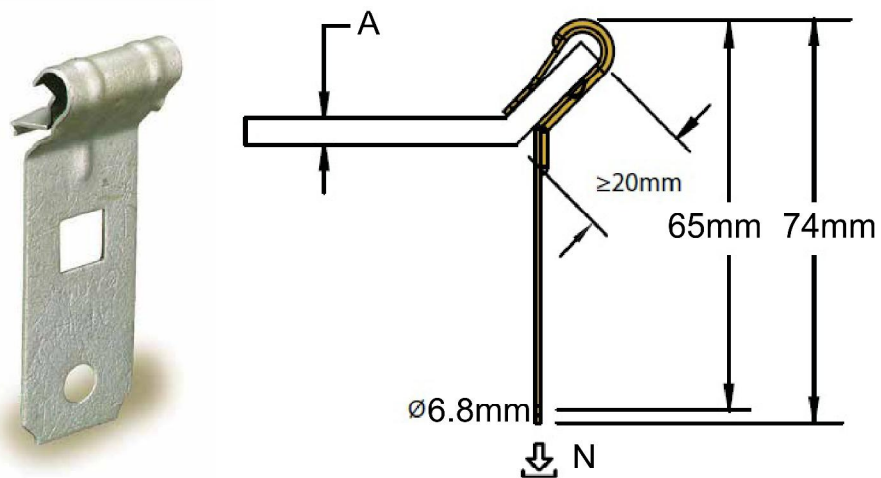


Flange (A)	Loading (N)	Pack Qty	Code
1.5-6mm	60 kg	10 No.	CAD499

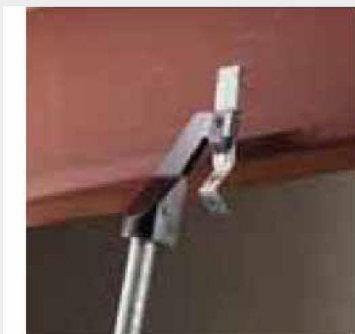


Related	Page(s)
17mm Sockets etc	xxx
Full range of 8.8 high tensile set screws	xxx

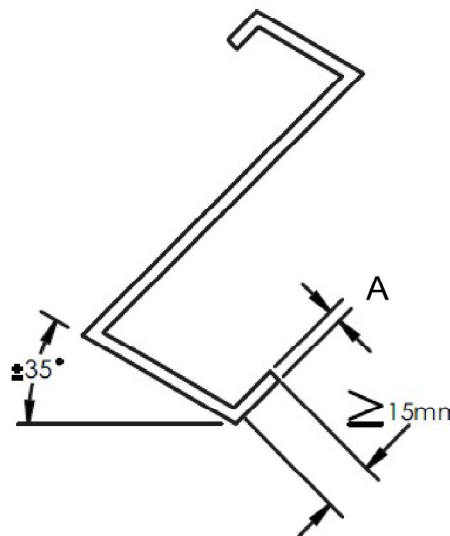
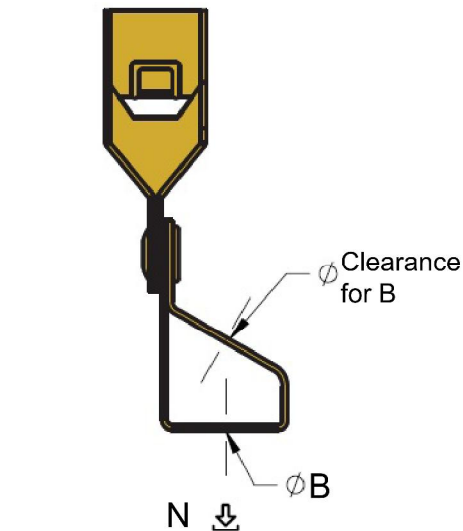
Z Purlin Suspension



Flange (A)	Loading (N)	Pack Qty	Code
1.5-6mm	35 kg	25 No.	CAD799

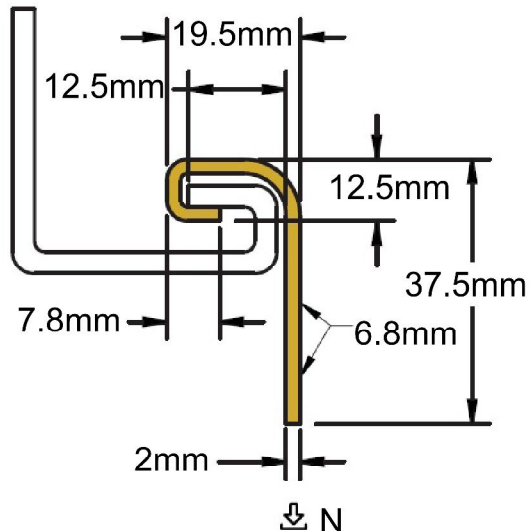


Z Purlin Threaded



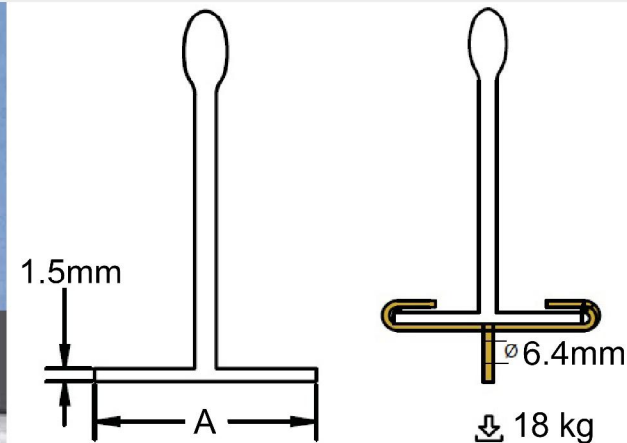
Flange (A)	Hole (B)	Loading (N)	Pack Qty	Code
2.8mm max	M6	45 kg	10 No.	CAD710
	M8	45 kg	10 No.	CAD711
	M10	45 kg	10 No.	CAD712

Rolled Lip Suspension



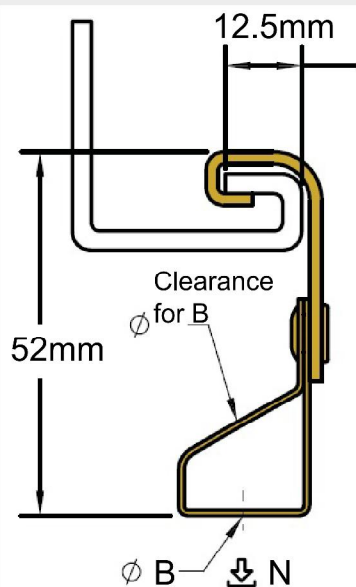
Loading (N)	Pack Qty	Code
70 kg	10 No.	CAD480

Suspended Ceiling Suspension



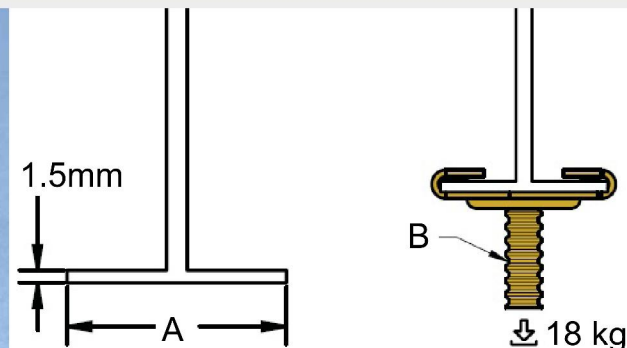
Finish	A	Pack Qty	Code
Armour	24-26mm	10 No.	CAD100
White	24-26mm	10 No.	CAD100WH

Rolled Lip Threaded



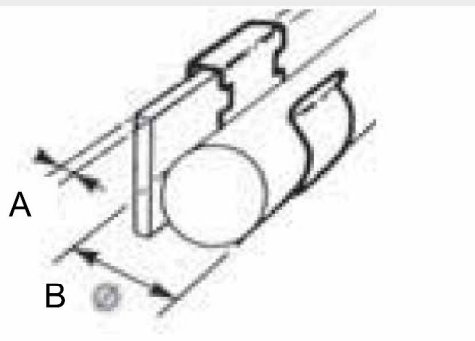
Hole (B)	Loading (N)	Pack Qty	Code
M6	70 kg	10 No.	CAD426
M8	70 kg	10 No.	CAD428
M10	70 kg	10 No.	CAD429

Suspended Ceiling Threaded



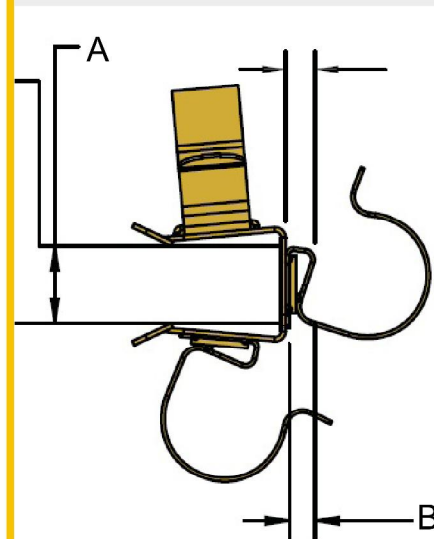
A	B	Pack Qty	Code
15mm	M6 x 16mm	10 No.	CAD105
24-26mm	M6 x 16mm	10 No.	CAD110
	M6 x 25mm	10 No.	CAD111
	M6 x 38mm	10 No.	CAD112
	M6 x 51mm	10 No.	CAD113

Snap Clips



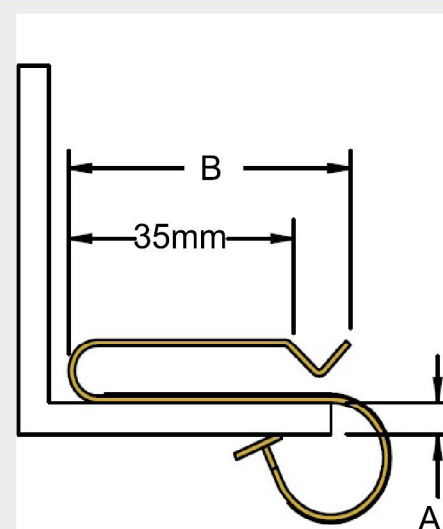
A	B	Pack Qty	Code
2-4mm	6-7mm	100 No.	SC206
	7-8mm	100 No.	SC207
	8-9mm	100 No.	SC208
	9-10mm	100 No.	SC209
	10-11mm	100 No.	SC210
	12-14mm	100 No.	SC212
	15-18mm	100 No.	SC215
	19-24mm	100 No.	SC219
	25-30mm	100 No.	SC225
4-7mm	6-7mm	100 No.	SC406
	7-8mm	100 No.	SC407
	8-9mm	100 No.	SC408
	9-10mm	100 No.	SC409
	10-11mm	100 No.	SC410
	12-14mm	100 No.	SC412
	15-18mm	100 No.	SC415
	19-24mm	100 No.	SC419
	25-30mm	100 No.	SC425
8-12mm	6-7mm	100 No.	SC806
	7-8mm	100 No.	SC807
	8-9mm	100 No.	SC808
	9-10mm	100 No.	SC809
	10-11mm	100 No.	SC810
	12-14mm	100 No.	SC812
	15-18mm	100 No.	SC815
	19-24mm	100 No.	SC819
	25-30mm	100 No.	SC825

Extension Adaptors for Snap Clips



A	B	Pack Qty	Code
13-20mm	2-4mm	25 No.	SC2A

Snap Clips for Flat Twin & Earth



A	B	Pack Qty	Code
5-12mm	45mm	25 No.	SC902
12-20mm	53mm	25 No.	SC923

Lindapter Multiwedge 2 - MW2



Lindapter Multiwedgwe 2 for many different sections of decking.

Size	Pack Qty	Code
M6	10 No.	MW01A
M8		MW02B
M10		MW03C

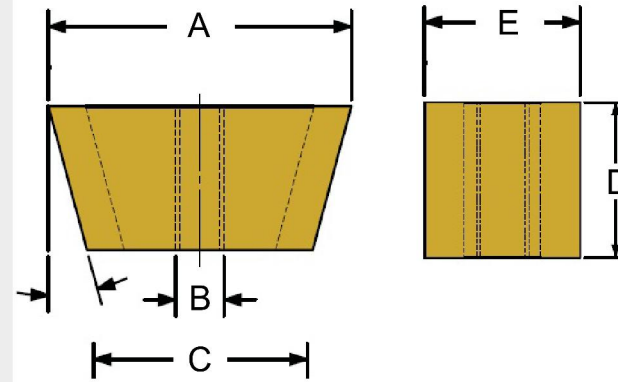
Lindapter TR60



Lindapter TR60 for many different sections of decking.

Size	Pack Qty	Code
M6	10 No.	MW6006
M8		MW6008
M10		MW6010

Wedge Nuts



	B	A	C	D	E	Pack Qty	Code
M6	25mm	19mm	13mm	13mm	13mm	25 No.	NWG06
	21mm	17mm	10mm	13mm	13mm	25 No.	NWR06E
	19mm	13mm	13mm	13mm	13mm	25 No.	NWM06A
M8	19mm	13mm	10mm	10mm	10mm	25 No.	NWS06J
	25mm	19mm	13mm	13mm	13mm	25 No.	NWG08
	21mm	17mm	10mm	13mm	13mm	25 No.	NWR08F
M10	19mm	13mm	13mm	13mm	13mm	25 No.	NWM08B
	19mm	13mm	10mm	10mm	10mm	25 No.	NWS08K
M10	25mm	19mm	13mm	13mm	13mm	25 No.	NWG10
	21mm	17mm	10mm	13mm	13mm	25 No.	NWR10G
M12	25mm	19mm	13mm	13mm	13mm	25 No.	NWG12



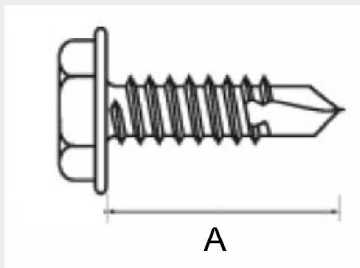
Hex Head - Heavy Section



Heavy section self drill & self tap screw for fixing to hot rolled purlins.

Bright zinc plated (CR3).

Steel Thickness	Length (A)	Thread Length	Diameter	Driver Bit Size	Pack Qty	Code
6-12mm	24mm	10mm	5.5mm	8.0mm	100 No.	SDS9001
	32mm	17mm				SDS9029
	38mm	23mm				SDS9038
	51mm	36mm				SDS9047
	67mm	52mm				SDS9056



Hex Head

Self drill & self tap screw for general fixing to steel substrates.

Manufactured to DIN7504 K.

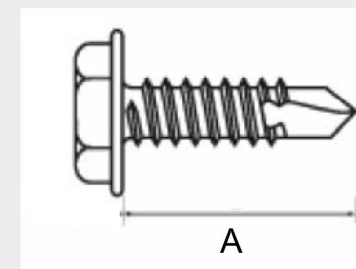
Case hardened to 560HV.

Bright zinc plated (CR3).



Steel Thickness	Length (A)	Thread Length	Diameter	Driver Bit Size	Pack Qty	Code
1.75-3.0mm	19mm	14mm	4.2mm	7.0mm	500 No.	SDS03C
	25mm	20mm			500 No.	SDS04D
	32mm	27mm			500 No.	SDS05E
	38mm	33mm			500 No.	SDS06F
1.75-4.4mm	16mm	9mm	4.8mm	8.0mm	500 No.	SDS08H
	19mm	12mm			500 No.	SDS09J
	25mm	18mm			500 No.	SDS10K
	32mm	25mm			500 No.	SDS11L
	38mm	31mm			500 No.	SDS12M
	50mm	43mm			250 No.	SDS14P
1.75-5.25mm	25mm	17mm	5.5mm	8.0mm	250 No.	SDS14Q
	32mm	24mm			100 No.	SDS15R
	38mm	30mm			100 No.	SDS1638
	45mm	37mm			100 No.	SDS1645
	50mm	42mm			100 No.	SDS17S
	60mm	52mm			100 No.	SDS1860
	70mm	62mm			100 No.	SDS19W

Related	Page(s)
17mm Sockets etc	xxx
Full details of dimensions	xxx



Countersunk Head



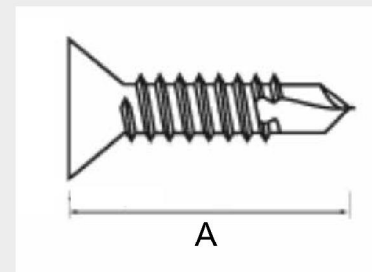
Self drill & self tap screw for general fixing to steel substrates.

Manufactured to DIN7504 P.

Case hardened to 560HV.

Bright zinc plated (CR3).

Steel Thickness	Overall Length	Thread Length	Diameter	Driver Bit Type	Pack Qty	Code
0.7-2.4mm	13mm	8mm	3.5mm??	PH2	500 No.	SDS53M
	16mm	11mm			500 No.	SDS54N
	19mm	14mm	3.9mm		500 No.	SDS55P
	25mm	20mm	500 No.		SDS56Q	
1.75-3.0mm	13mm	8mm	4.2mm	PH2	500 No.	SDS61A
	16mm	11mm			500 No.	SDS62B
	19mm	19mm			500 No.	SDS63C
	25mm	20mm			500 No.	SDS64D
	32mm	27mm			500 No.	SDS65E
	38mm	32mm			500 No.	SDS66F
1.75-4.4mm	25mm	19mm	4.8mm	PH2	500 No.	SDS70K
	32mm	26mm			500 No.	SDS71L
	38mm	32mm			250 No.	SDS72M
	45mm	39mm			250 No.	SDS73N
	50mm	44mm			250 No.	SDS74P
	60mm	54mm			100 No.	SDS75Q
	70mm	64mm			100 No.	SDS76R



Related	Page(s)
17mm Sockets etc	xxx
Full range of 8.8 high tensile set screws	xxx

Pan Head

Self drill & self tap screw for general fixing to steel substrates.

Manufactured to DIN7504 N.

Case hardened to 560HV.

Bright zinc plated (CR3).



Steel Thickness	Overall Length	Thread Length	Diameter	Driver Bit Type	Pack Qty	Code
0.7-2.4mm	13mm	8mm	3.9mm	PH2	500 No.	SDS30K
	16mm	11mm			500 No.	SDS31L
	19mm	14mm			500 No.	SDS32M
	25mm	20mm			500 No.	SDS33N
	13mm	8mm			4.2mm	PH2
16mm	11mm	500 No.	SDS42B			
19mm	19mm	500 No.	SDS43C			
25mm	20mm	500 No.	SDS45E			
32mm	27mm	500 No.	SDS46F			
38mm	32mm	500 No.	SDS47G			
1.75-4.4mm	25mm	19mm	4.8mm	PH2	500 No.	SDS48H
	32mm	26mm			500 No.	SDS49K
	38mm	32mm			250 No.	SDS51L
	45mm	39mm			250 No.	SDS512
	50mm	44mm			250 No.	SDS517

