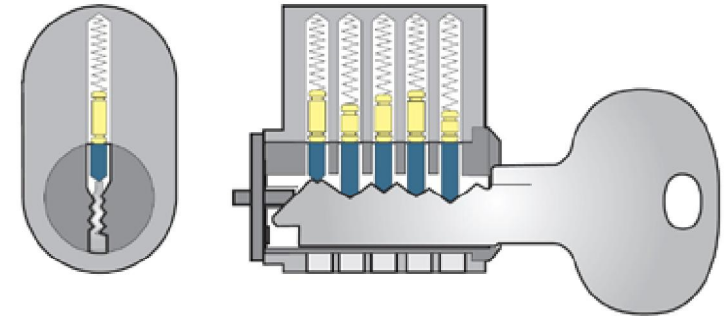


Medium Security Cylinders

MS Range



A medium security cylinder range for doors subject to a high frequency of careless use.

A five pin range with 29,000 useable differs, unauthorised key duplication is prevented by international patents.

This cylinder range has high pick resistance. Key duplication restrictions is standard.

Our MS Range has a large number of locking options with a range of padlocks, in addition to the following range of cylinders:-

- Euro Profile, with anti-barricade clutch function available
- British Oval Profile
- Scandinavian Oval Profile
- Round Rim
- Threaded Rim & ANSI Profile

This product has good master keying capabilities and is suitable for medium sized master systems for up to 500 doors.

Available in two finishes.

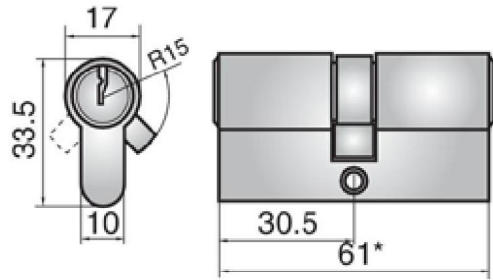
- Satin chrome
- Polished brass

Security rating is to EN1303 Security Grade 3-0.

This product range is available at WTL Key Security Level 2 (see page 16).



MS Range Euro Profile

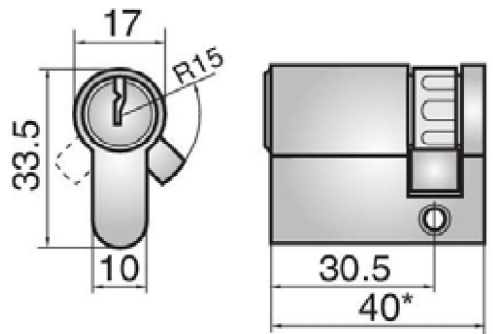


Euro profile double cylinder.

Available from 61mm to 141mm as offset or even sided cylinders.

Please note, for offset cylinders the maximum dimension of each side is 70.5mm.

Prod Code
ASF-ED-X-X-X

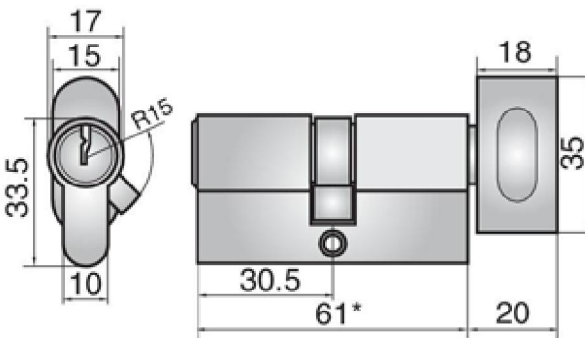


Euro profile single cylinder.

Available from 40mm to 80mm.

The cam position is user adjustable for key switches etc.

Prod Code
ASF-ES-X-X-X



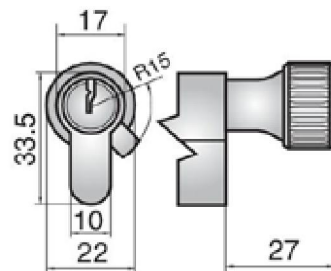
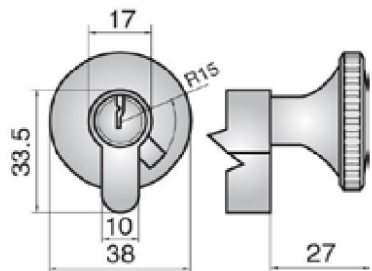
Euro profile cylinder and turn.

Available from 61mm to 141mm as offset or even sided cylinders.

Please note, for offset cylinders the maximum dimension of each side is 70.5mm.

This product is available with either the oval turn or either of the turns below

Prod Code
ASF-ETO-X-X-X

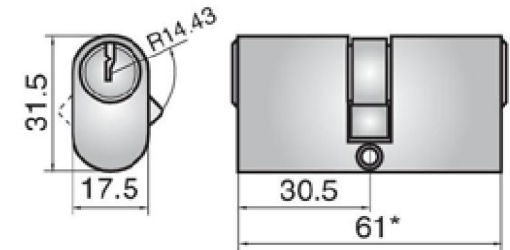


MS Range British Oval Profile

British Oval profile double cylinder.

Available even sided cylinders in sizes 61mm, 71mm and 81mm.

Prod Code
ASF-OD-X-X-X

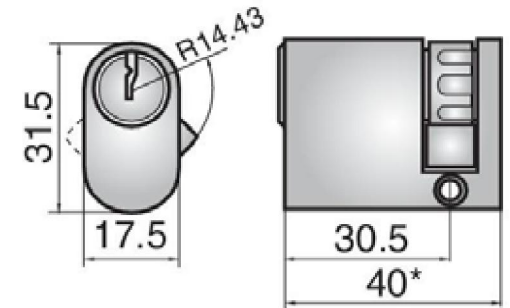


British Oval profile single cylinder.

Available from 40mm, 45mm and 50mm.

The cam position is user adjustable for key switches etc.

Prod Code
ASF-OS-X-X-X

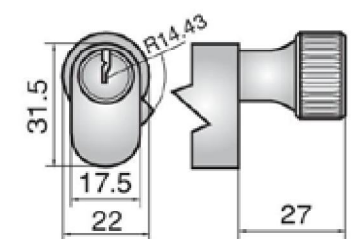
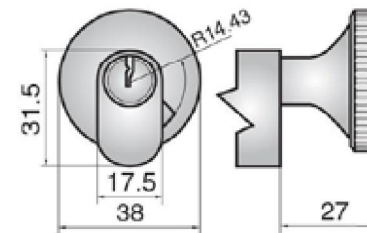
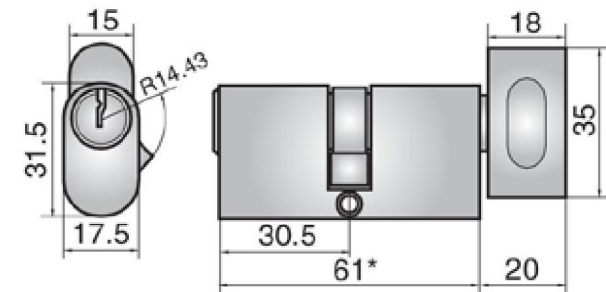


British Oval profile cylinder and turn.

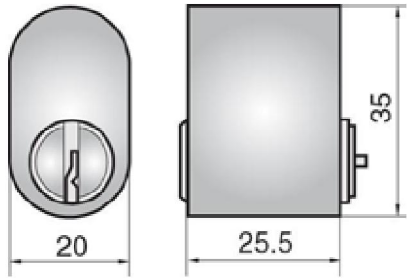
Available even sided cylinders in sizes 61mm, 71mm and 81mm..

This product is available with either the oval turn or either of the turns below

Prod Code
ASF-OTO-X-X-X



MS Range Scandinavian Oval Profile

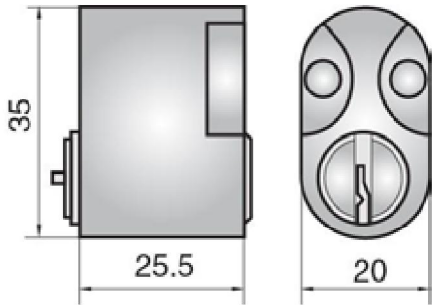


Scandinavian oval external cylinder.

For use with scandinavian locks.

This cylinder can be extended with the extension pieces on page 173.

Prod Code
ASF-SE-X

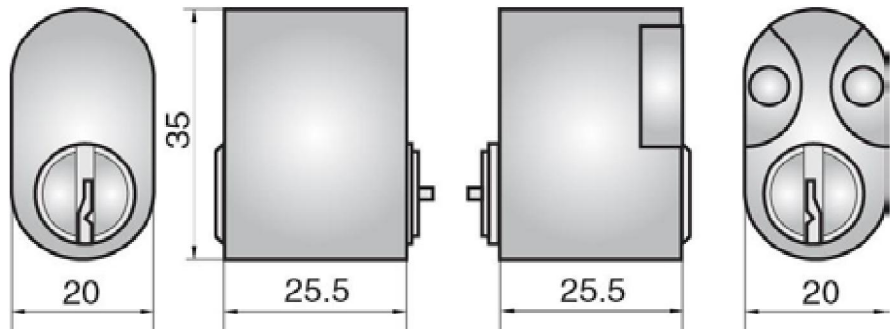


Scandinavian oval internal cylinder.

For use with scandinavian locks.

This cylinder can be extended with the extension pieces on page 173.

Prod Code
ASF-SI-X



Scandinavian oval double cylinder.

For use with scandinavian locks.

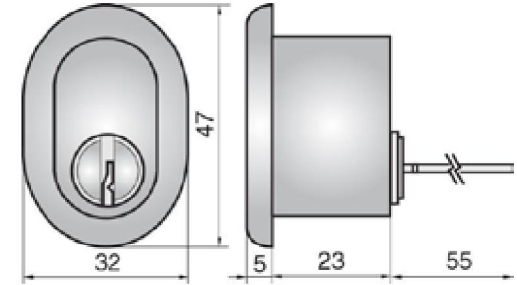
This cylinder can be extended with the extension pieces on page 173.

Prod Code
ASF-SD-X

Scandinavian oval rim external cylinder.

For use with certain scandinavian locks.

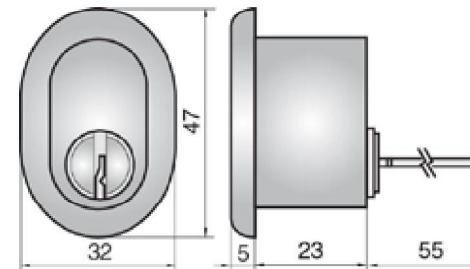
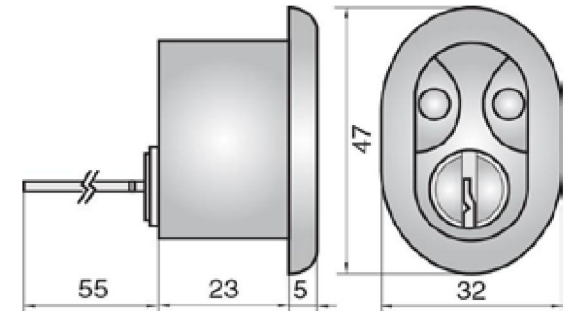
Prod Code
ASF-SRE-X



Scandinavian oval rim internal cylinder.

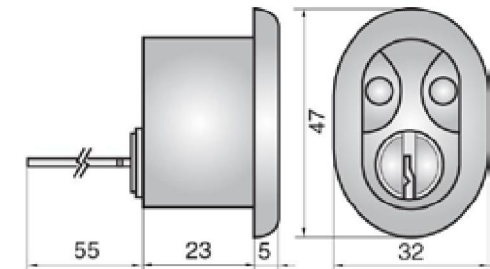
For use with certain scandinavian locks.

Prod Code
ASF-SRI-X



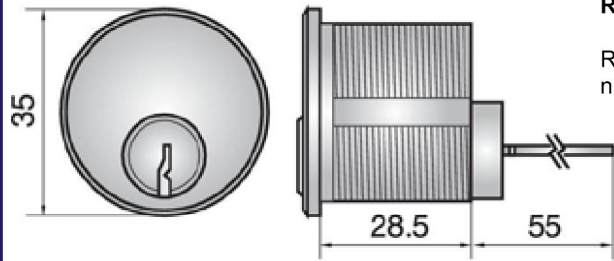
Scandinavian oval rim double cylinder.

For use with certain scandinavian locks.



Prod Code
ASF-SRD-X

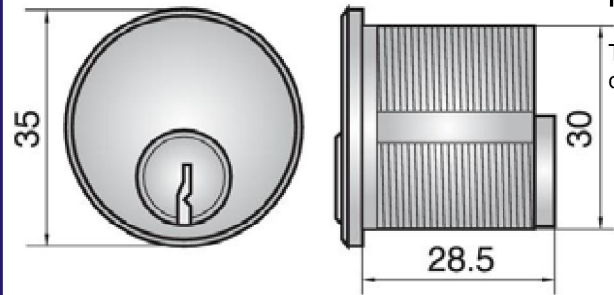
MS Range Round Profile



Rim cylinder.

Rim cylinder for use with British style rim night latches.

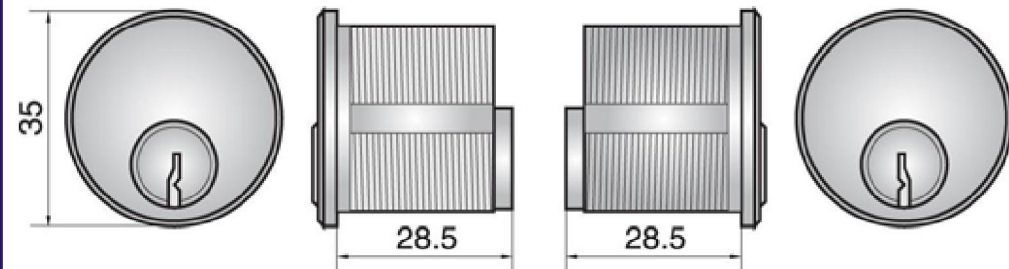
Prod Code
ASF-RIM-X



Round threaded external cylinder.

Threaded cylinder for use on aluminium doors.

Prod Code
ASF-RITEE-X

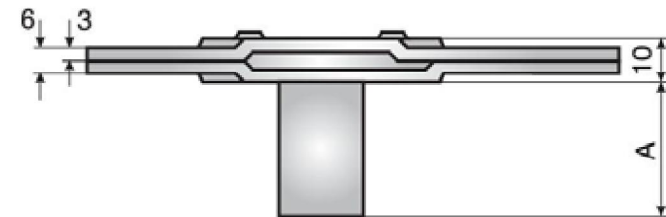
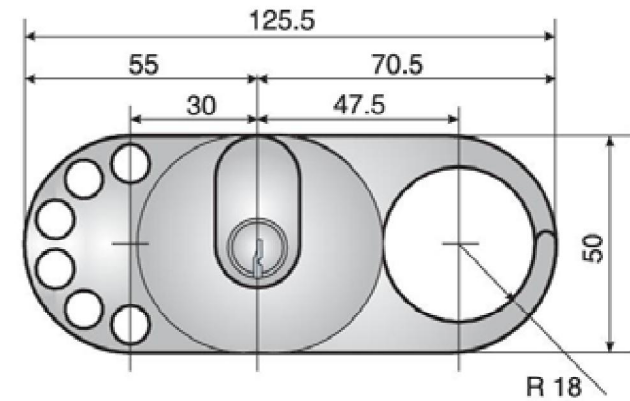
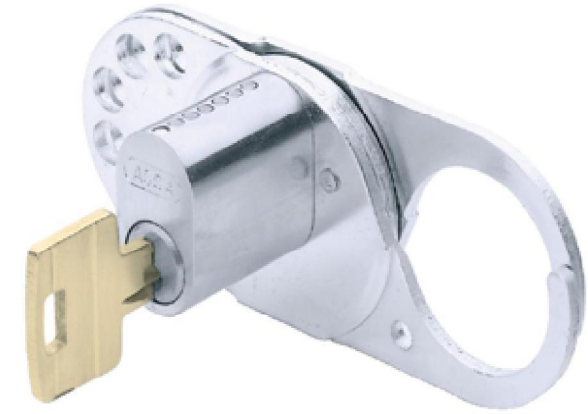


Round threaded double cylinder.

Threaded cylinder for use on aluminium doors.

Prod Code
ASF-RITED-X

MS Range Facility Manager's Blocking Lock

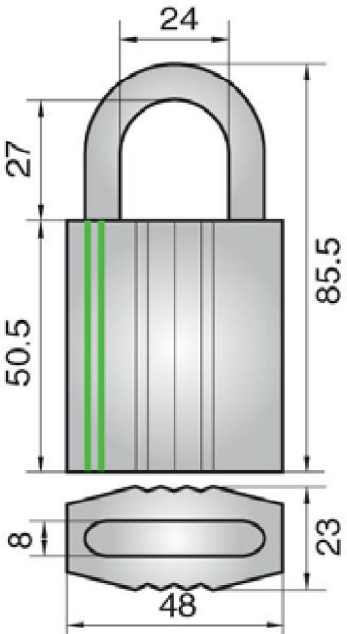


Prod Code
ASF-BLOCK

MS Range Padlocks

Open Shackle Security Grade 3

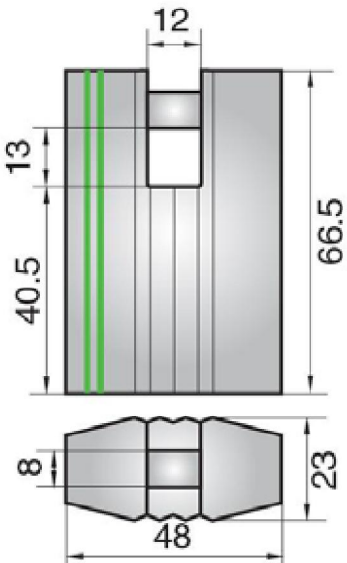
Security padlock tested to EN12320 Grade 3.
 Body of extruded brass with a black chrome plate.
 Shackle of rust-proofed hardened steel.
 Drainage holes to prevent body freezing.
 Tensile strength over 1.5 tons.
 Key is retained until locked.



Prod Code
 ASF-PAD4

Closed Shackle Security Grade 3

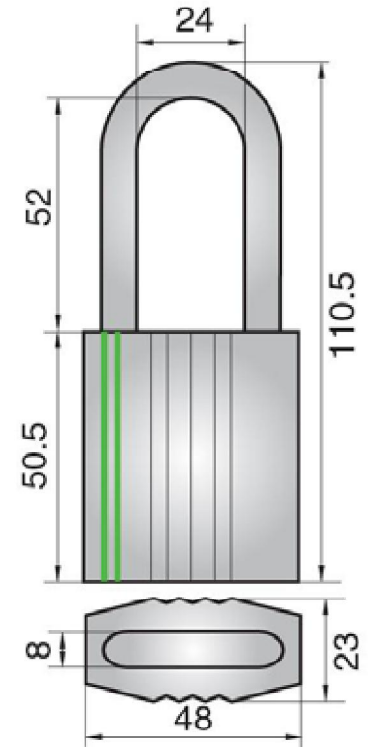
Security padlock tested to EN12320 Grade 3.
 Body of extruded brass with a black chrome plate.
 Shackle of rust-proofed hardened steel.
 Drainage holes to prevent body freezing.
 Tensile strength over 1.5 tons.
 Key is retained until locked.



Prod Code
 ASF-PAD1

Extended Shackle Security Grade 3

Security padlock tested to EN12320 Grade 3.
 Body of extruded brass with a black chrome plate.
 Shackle of rust-proofed hardened steel.
 Drainage holes to prevent body freezing.
 Tensile strength over 1.5 tons.
 Key is retained until locked.



Prod Code
 ASF-PAD2

