

WT10 Range



A medium security cylinder range for doors subject to a high frequency of careless use.



A 10 pin range with 19,000 useable differs, unauthorised key duplication is prevented by restriction of the key profile rather than by international patents.



This cylinder range is resistant to picking and manipulation and has anti-drill pins and features. Key duplication restriction is standard.



Available in three finishes.

- Polished brass
- Satin chrome
- Polished chrome



Security rating is to EN1303 Security Grade 6-2

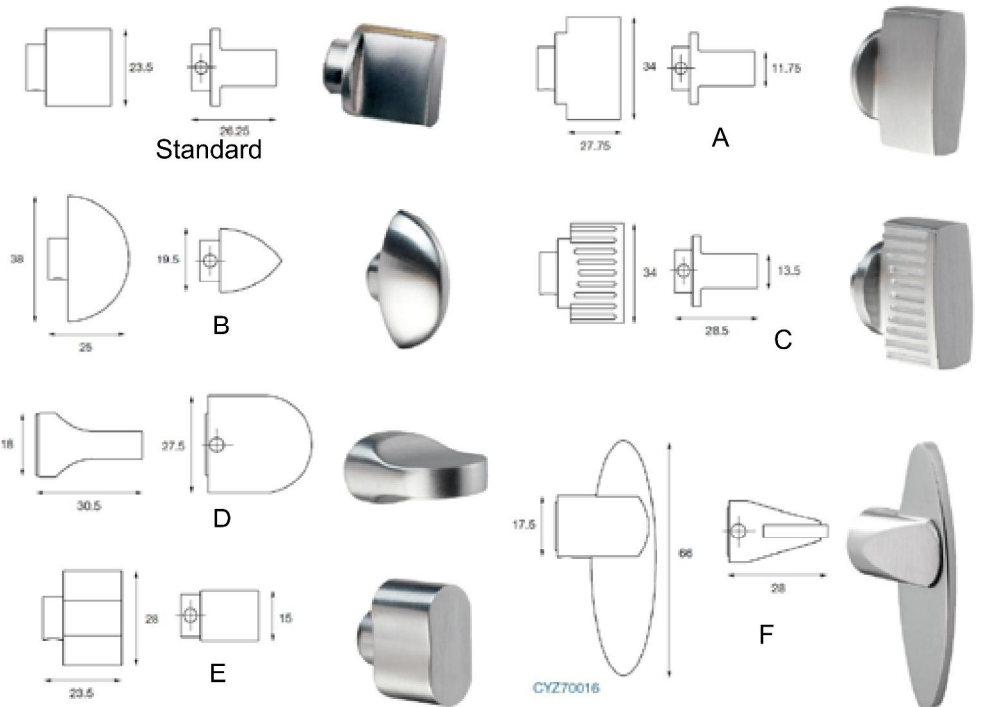
All the euro profile (DIN) cylinders in this range have a TS007 1 Star rating.

This product range is available at WTL Key Security Level 2 (se page 16).

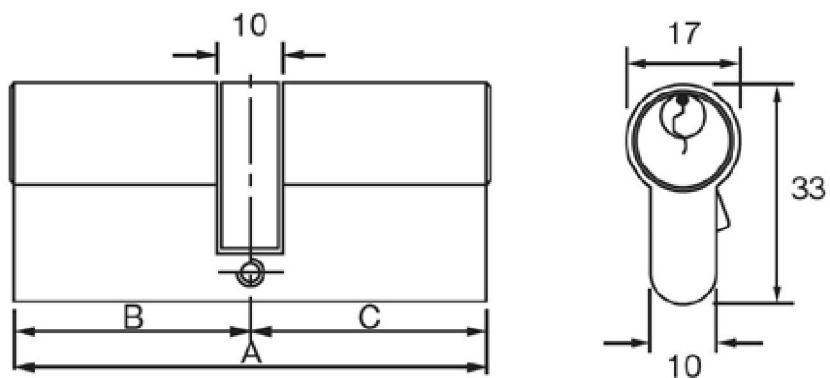
The cylinders and turns in this range can be altered from the standard turn to those shown on the opposite page.



Range of alternative turns.

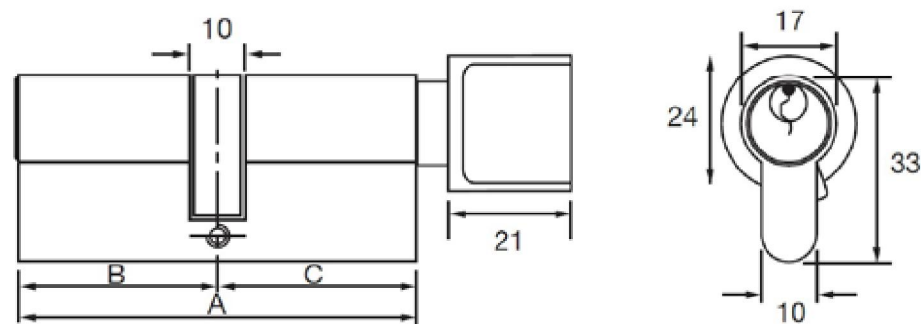


WT10 Range Euro Profile Double Cylinder



B	C	A	Prod Code
32mm	32mm	64mm	EDC3232-X
	40mm	72mm	EDC3240-X
	50mm	82mm	EDC3250-X
35mm	35mm	70mm	EDC3535-X
	40mm	75mm	EDC3540-X
	45mm	80mm	EDC3545-X
	50mm	85mm	EDC3550-X
40mm	40mm	80mm	EDC4040-X
	45mm	85mm	EDC4045-X
	50mm	90mm	EDC4050-X
45mm	45mm	90mm	EDC4545-X
	50mm	95mm	EDC4550-X
	55mm	100mm	EDC4555-X
50mm	50mm	100mm	EDC5050-X

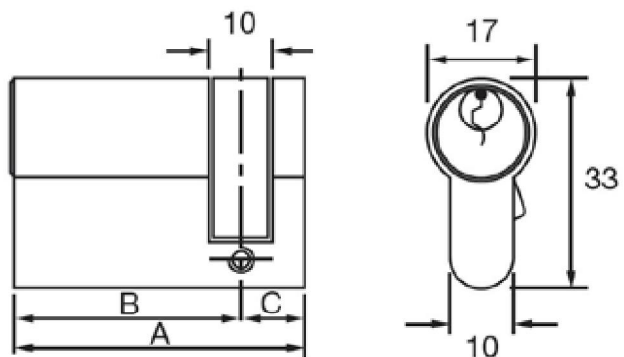
WT10 Range Euro Profile Cylinder & Turn



B	C	A	Prod Code
32mm	32mm	64mm	ECT3232-X
	40mm	72mm	ECT3240-X
35mm	35mm	70mm	ECT3535-X
	45mm	80mm	ECT3545-X
40mm	32mm	82mm	ECT4032-X
	40mm	80mm	ECT4040-X
	50mm	90mm	ECT4050-X
45mm	60mm	100mm	ECT4060-X
	35mm	80mm	ECT4535-X
	45mm	90mm	ECT4545-X
50mm	50mm	95mm	ECT4550-X
	40mm	90mm	ECT5040-X
	45mm	95mm	ECT5045-X
60mm	50mm	100mm	ECT5050-X
	40mm	100mm	ECT6040-X

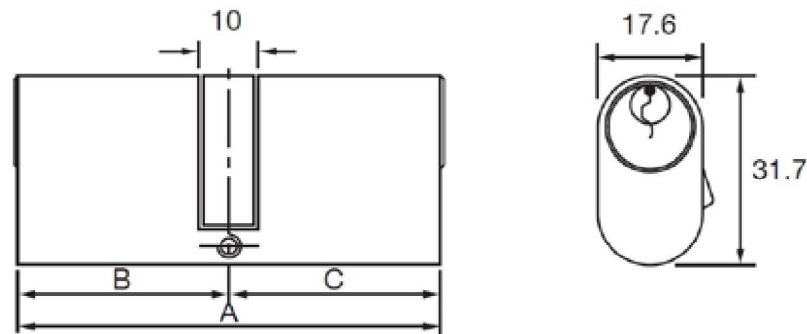


WT10 Range Euro Profile Single Cylinder



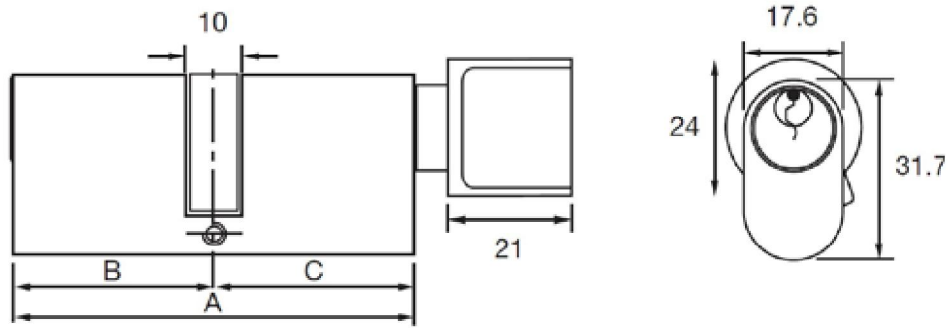
B	C	A	Prod Code
32mm	10mm	42mm	ESC42-X
36mm		46mm	ESC46-X
40mm		50mm	ESC50-X
45mm		55mm	ESC55-X

WT10 Range British Oval Profile Double Cylinder



B	C	A	Prod Code
32mm	32mm	64mm	ODC3232-X
35mm	35mm	70mm	ODC3535-X
40mm	40mm	80mm	ODC4040-X

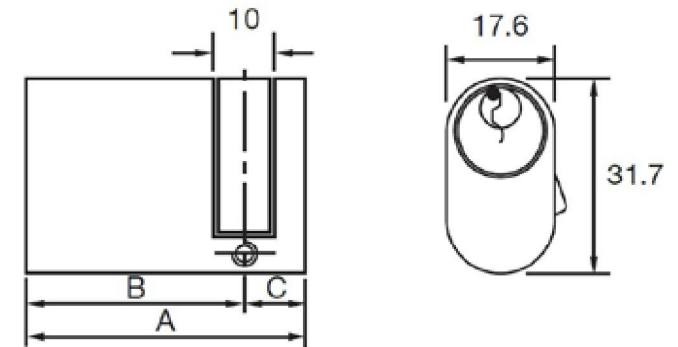
WT10 Range British Oval Profile Cylinder & Turn



B	C	A	Prod Code
32mm	32mm	64mm	OCT3232-X
35mm	35mm	70mm	OCT3535-X
40mm	40mm	80mm	OCT4040-X

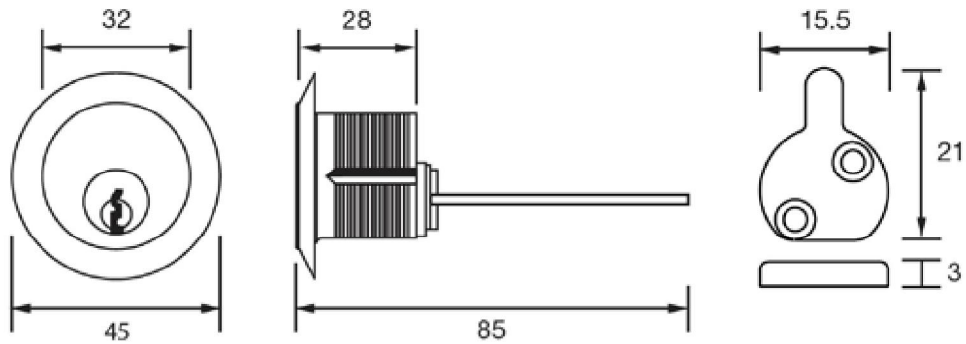


WT10 Range British Oval Profile Single Cylinder



B	C	A	Prod Code
32mm	10mm	42mm	OSC42-X
36mm		46mm	OSC46-X

WT10 Range Round Profile Cylinders

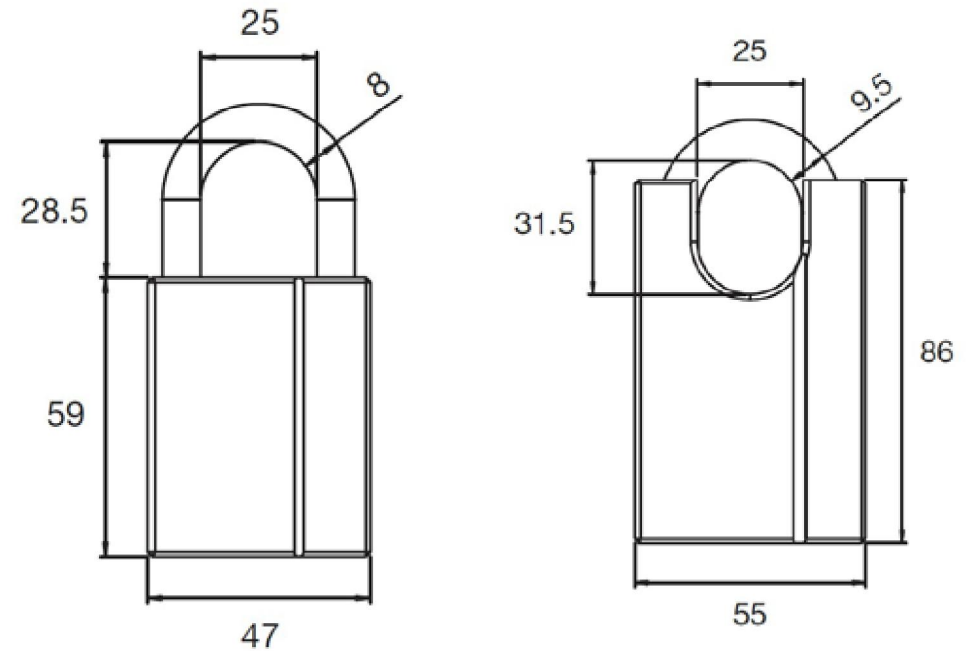


Round profile universal cylinder, comes as standard with a tail to operate a "Yale" type night latch.

Also comes with a cam for threaded ANSI type lock cases and is compatible with both types of lock case.

Prod Code
URC25-X

WT10 Range Padlocks



Padlocks with a hardened steel shackle and satin chrome plate finish.

Shackle	Prod Code
Open	PAD47WT10
Closed	PAD55WT10