



Our Scandinavian lock cases offer the maximum choice and security in a mortice lock case range.

Smooth operating and extremely robust locks for unrivalled reliability and security.

The cylinders in this range are bolted through the lock for security and reliability, the cylinders can be extended to accommodate very thick doors, steel plating, cladding or unusual lock positions.

Triple laminated and hardened deadbolts for excellent attack resistance.

Heavy sprung latch follower for use with all lever furniture, including very heavy duty, solid, unsprung lever furniture.

Our Scandinavian locks have the largest range of compliant accessories utilising them, including:-

- Panic bars
- Push pads
- Emergency access domes
- Digital mechanical locks
- Digital biometric locks
- Stand-alone proximity reader units

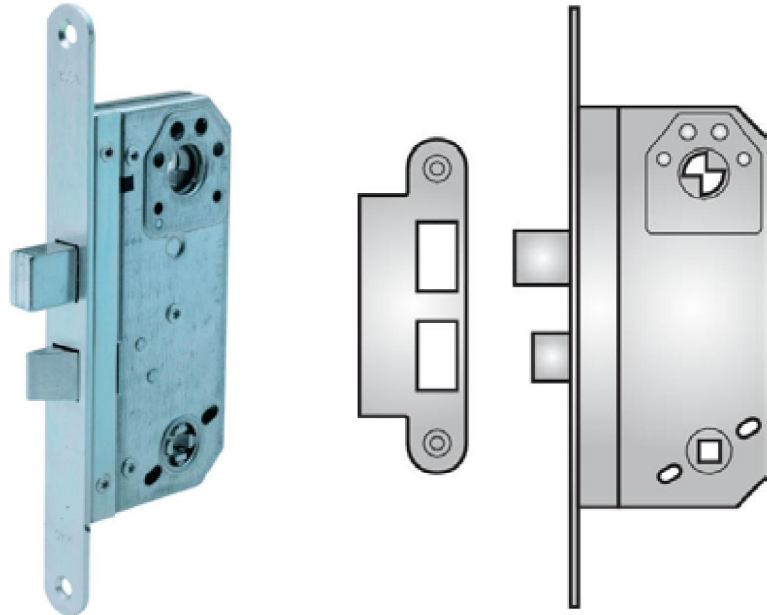
Most of the locks in this range have microswitching options, see page 178 for details.

Available in three backsets - 70mm, 50mm and 35mm.

70mm backset meets the dimensional requirements of Approved Document M and the Equality Act 2010. 35mm backset requires the use of special door furniture.

Available in two finishes - satin chrome plate and polished brass. Product COdes are for satin chrome plate finish.

Sash Lock



Scandinavian sash lock for doors subject to frequent violent usage.



Suitable for any environment, but particularly suitable for very high traffic areas and doors subject to violent usage.



Deadbolt is thrown or retracted by a 90° turn of the key or thumbturn.

Heavy sprung latch follower suitable for all lever types, including unsprung solid levers.



Available in satin chrome plate or polished brass finish.

Available in 35mm, 50mm and 70mm backsets.



As per pages 180-183, can be dressed in configurations A, AT, B, BT, C, CT, J & K.

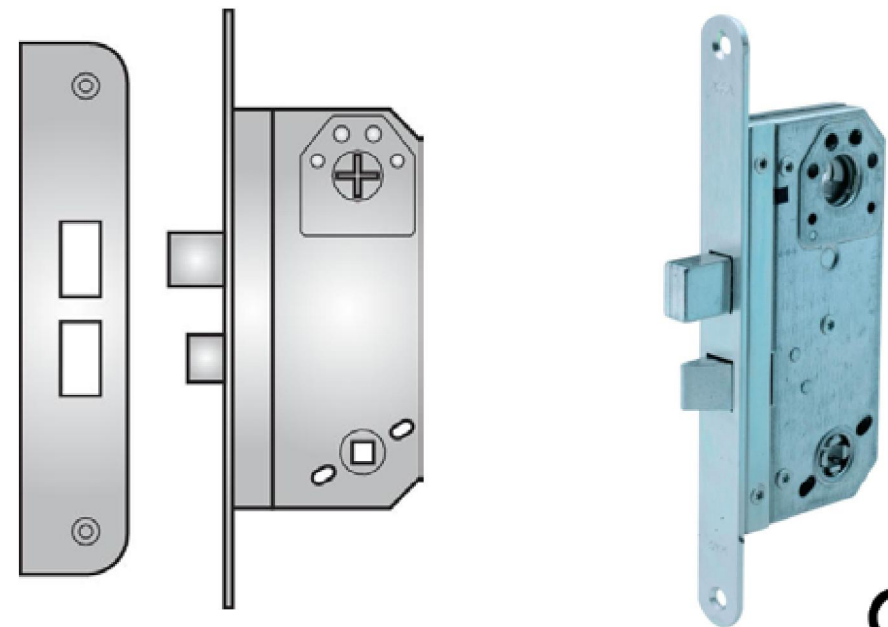


Backset	Prod Code
70mm	MOD0001
50mm	MOC0001
35mm	MOB0001



EN12209

Sash Lock High Security



Scandinavian high security sash lock for doors subject to frequent violent usage.



Suitable for any environment, but particularly suitable for security doors.

Deadbolt is thrown or retracted by a 360° turn of the key or thumbturn.

Heavy sprung latch follower suitable for all lever types, including unsprung solid levers.



Available in satin chrome plate or polished brass finish.

Available in 35mm, 50mm and 70mm backsets.

As per pages 180-183, can be dressed in configurations A & AT.

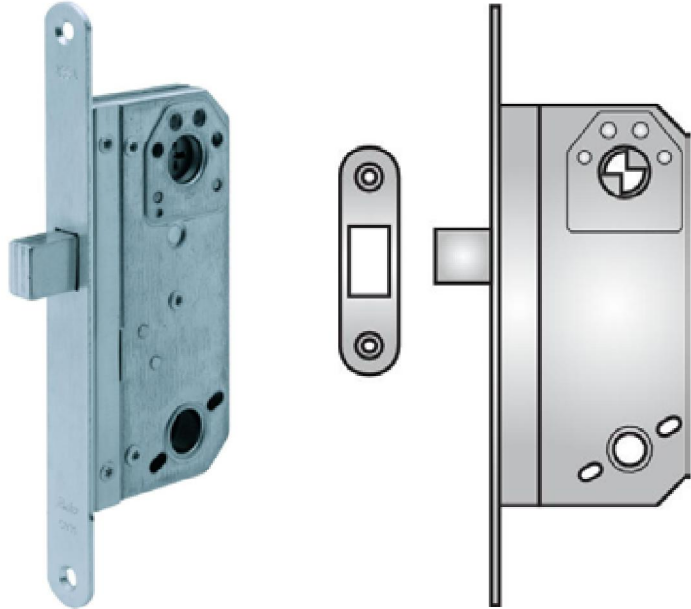


Backset	Prod Code
70mm	MOD0001-HS
50mm	MOC0001-HS
35mm	MOB0001-HS

EN12209



Dead Lock



Scandinavian dead lock for doors subject to frequent violent usage.



Suitable for any environment, but particularly suitable for very high traffic areas and doors subject to violent usage.



Deadbolt is thrown or retracted by a 90° turn of the key or thumbturn.

Available in satin chrome plate or polished brass finish.

Available in 35mm, 50mm and 70mm backsets.



As per pages 180-183, can be dressed in configurations D, DT & E.

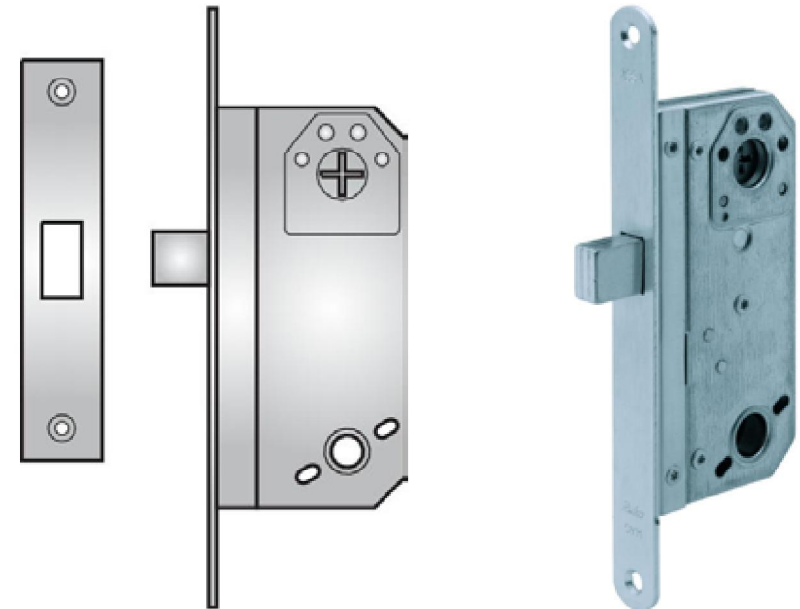


Backset	Prod Code
70mm	MOD1018
50mm	MOC1018
35mm	MOB1018



EN12209

Dead Lock High Security



Scandinavian high security dead lock for doors subject to frequent violent usage.

Suitable for any environment, but particularly suitable for security doors.

Deadbolt is thrown or retracted by a 360° turn of the key or thumbturn.

Available in satin chrome plate or polished brass finish.

Available in 35mm, 50mm and 70mm backsets.

As per pages 180-183, can be dressed in configurations D, DT & E.

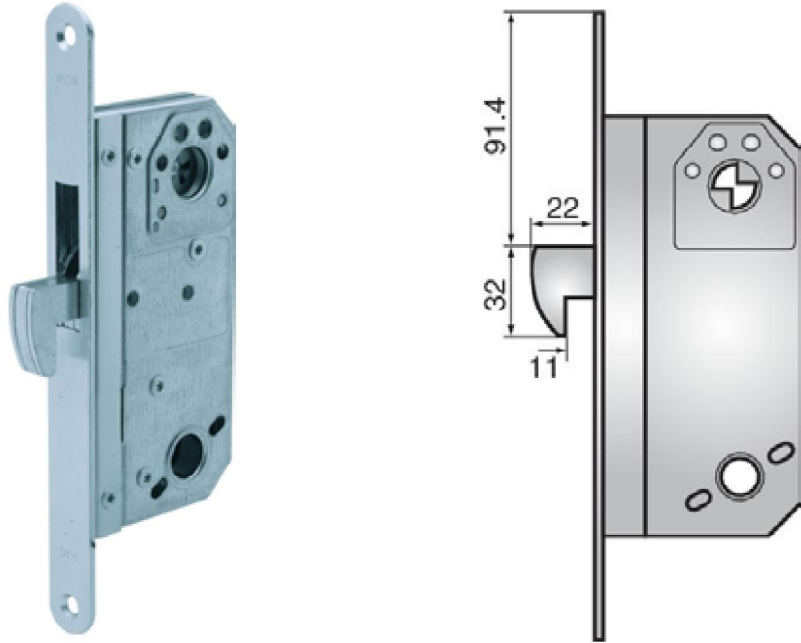


Backset	Prod Code
70mm	MOD1018-HS
50mm	MOC1018-HS
35mm	MOB1018-HS

EN12209



Hookbolt



Scandinavian hook lock for doors subject to frequent violent usage.

Suitable for any environment, but particularly suitable for sliding or folding perimeter doors, doors in very high traffic areas or subject to violent usage.



Hookbolt is thrown or retracted by a 90° turn of the key or thumbturn.

Available in satin chrome plate or polished brass finish.



Available in 50mm backset.

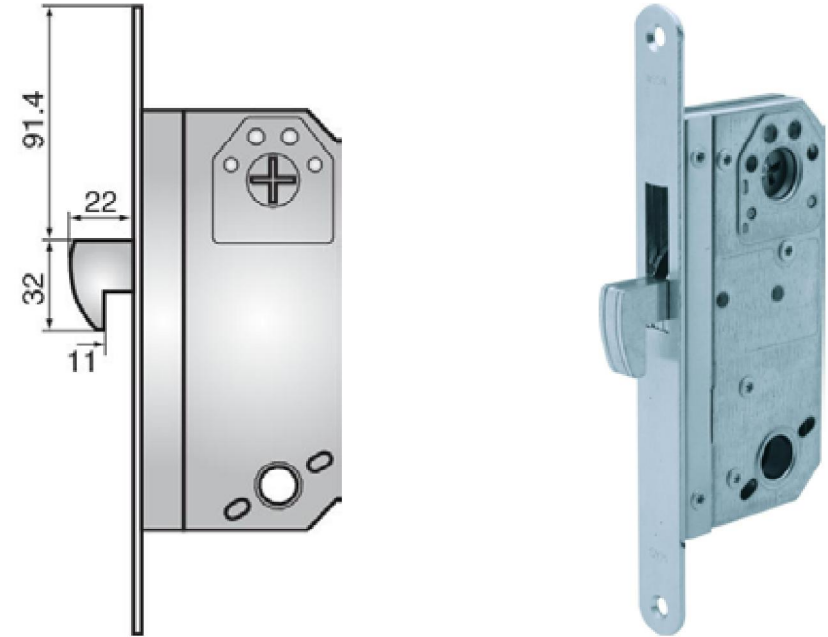
As per pages 180-183, can be dressed in configurations D, DT & E.

Backset	Prod Code
50mm	MOC1020



EN12209

Hookbolt High Security



Scandinavian high security hook lock for doors subject to frequent violent usage.

Suitable for any environment, but particularly suitable for sliding or folding security perimeter doors.



Hookbolt is thrown or retracted by a 360° turn of the key or thumbturn.

Available in satin chrome plate or polished brass finish.



Available in 50mm backset.

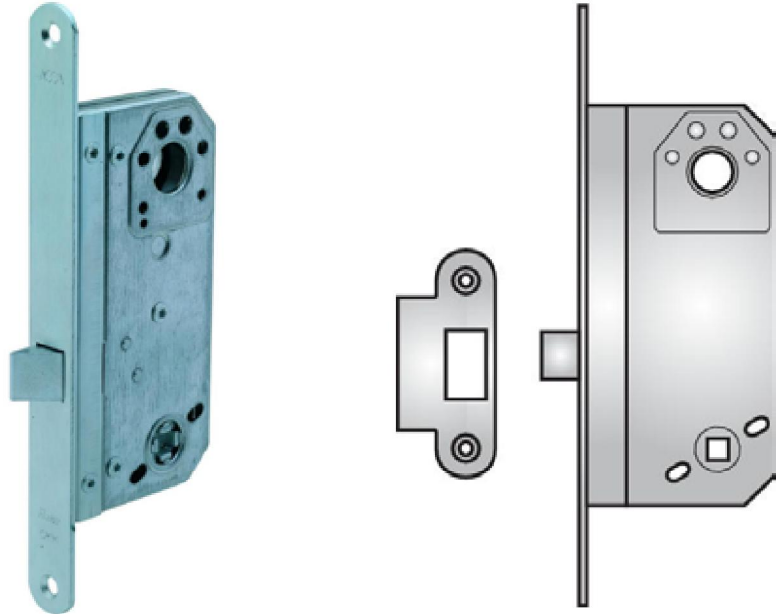
As per pages 180-183, can be dressed in configurations D, DT & E.

Backset	Prod Code
50mm	MOC1020-HS

EN12209



Latch



Scandinavian latch for doors subject to frequent violent usage.



Suitable for any environment, but particularly suitable for very high traffic areas and doors subject to violent usage.



Heavy sprung latch follower suitable for all lever types, including unsprung solid levers.

Available in satin chrome plate or polished brass finish.

Available in 35mm, 50mm and 70mm backsets.



As per pages 180-183, can be dressed in configurations F.

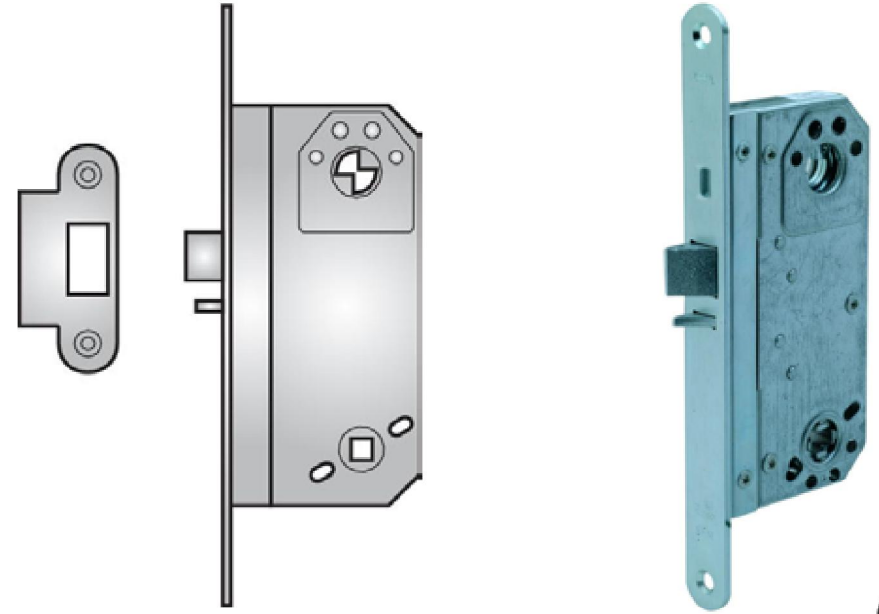


Backset	Prod Code
70mm	MOD2029
50mm	MOC2029
35mm	MOB2029



EN12209

Night Latch



Scandinavian night latch for doors subject to frequent violent usage.



Suitable for any environment, but particularly suitable for very high traffic areas and doors subject to violent usage.



Heavy sprung latch follower suitable for all lever types, including unsprung solid levers.

Available in satin chrome plate or polished brass finish.

Available in 35mm, 50mm and 70mm backsets.



As per pages 180-183, can be dressed in configurations G & H.

This lock can also be dressed with the panic and emergency exit hardware on pages 160-161 and the digital lock on page 162.

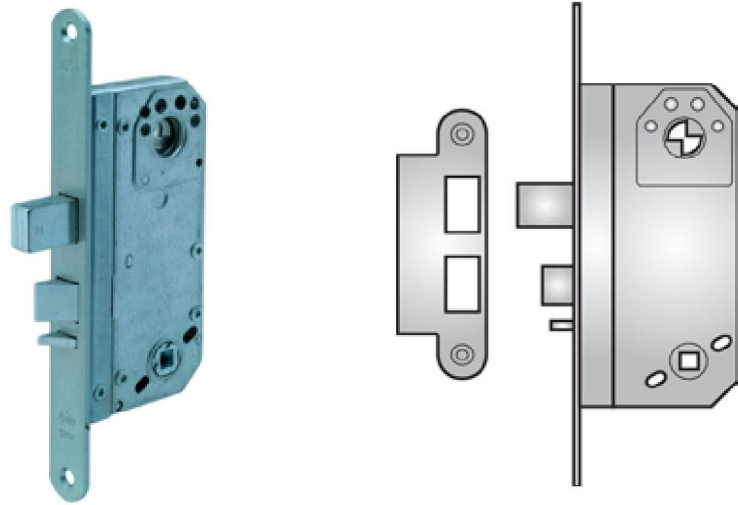


Backset	Prod Code
70mm	MOD7236
50mm	MOC7236
35mm	MOB7236

EN12209



Escape Sashlock



Scandinavian escape sash lock for doors subject to frequent violent usage.

Suitable for any environment, but particularly suitable for very high traffic areas and doors subject to violent usage.



Deadbolt is thrown or retracted by a 90° turn of the key or thumbturn.

Heavy sprung latch follower suitable for all lever types, including unsprung solid levers.



Available in satin chrome plate or polished brass finish.

Available in 50mm and 70mm backsets.



As per pages 180-183, can be dressed in configurations L, LT & M.

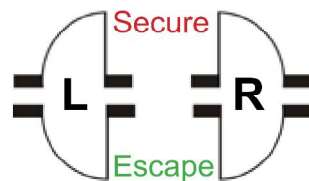


This lock can also be dressed with the panic and emergency exit hardware on pages 160-161.



This product is handed and requires the use of the half spindles on page 172.

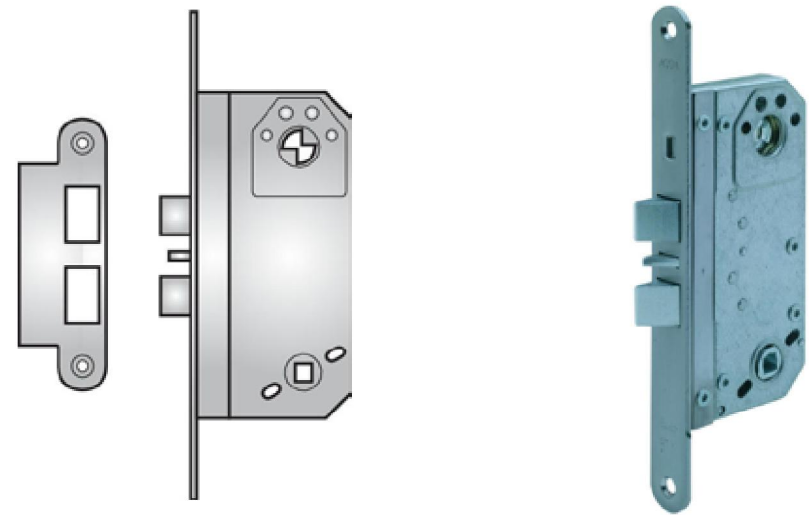
Backset	LH Prod Code	RH Prod Code
70mm	MOD4056L	MOD4056R
50mm	MOC4056L	MOC4056R



EN12209



Special Purpose Night Latch



Scandinavian special purpose night latch for doors subject to frequent violent usage.

Suitable for any environment, but particularly suitable for very high traffic areas and doors subject to violent usage.



Deadbolt is thrown or retracted by a 90° turn of the key or thumbturn.

Heavy sprung latch follower suitable for all lever types, including unsprung solid levers.



Available in satin chrome plate or polished brass finish.

Available in 35mm, 50mm and 70mm backsets.

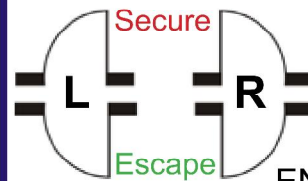


As per pages 180-183, can be dressed in configuration N.



This product is handed and requires the use of the half spindles on page 172.

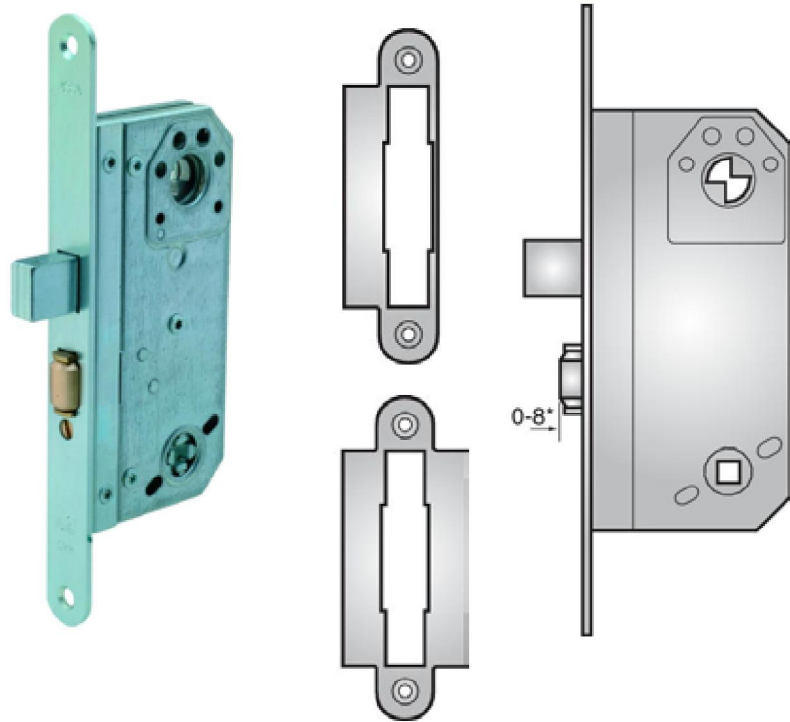
Backset	LH Prod Code	RH Prod Code
70mm	MOD7249L	MOD7249R
50mm	MOC7249L	MOC7249R
35mm	MOB7249L	MOB7249R



EN12209



Roller Sashlock



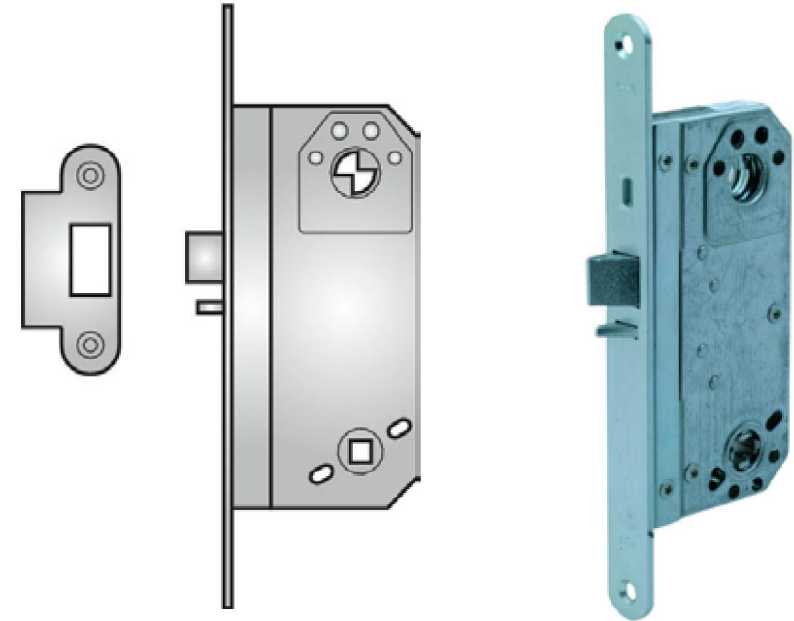
- Scandinavian roller sash lock for doors subject to frequent violent usage.
- Suitable for any environment, but particularly suitable for very high traffic areas and doors subject to violent usage.
- Deadbolt is thrown or retracted by a 90° turn of the key or thumbturn.
- Available in satin chrome plate or polished brass finish.
- Available in 50mm and 70mm backsets.
- This lock can be dressed in a large number of push/pull configurations.

Backset	Prod Code
70mm	MOD0012
50mm	MOC0012



EN12209

Special Access Night Latch



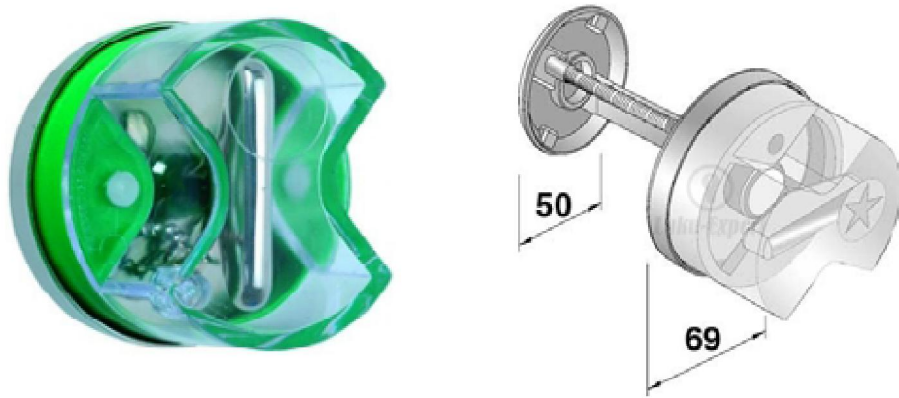
- Scandinavian special access night latch for doors subject to frequent violent usage.
- Suitable for any environment, but particularly suitable for very high traffic areas and doors subject to violent usage.
- This lock can be dressed with domes to allow access to non-keyholders in the event of an emergency. See page x for details.
- Available in satin chrome plate or polished brass finish.
- Available in 70mm backsets.
- Please see the pages 148-149 for dressing configurations and more information.

Backset	Prod Code
70mm	EE8000

EN12209



Special Access Night Latch - Accessories



Twist-off dome accessories for the special access night latch on page xx.

These domes can be fitted to allow emergency access to non-keyholders.

The domes are twisted off, which snaps the two holding pins and turns the thumbturn allowing access. The domes are retained near the door by a 100mm ball-chain lanyard.

Please be aware that The Building Act is quite specific regarding emergency escape devices, and these domes do not meet it's operational requirements, nor have they been tested to EN179.

These domes are designed for emergency **access** rather than escape, or for special situations where their use is a necessary compromise and has been incorporated into the building's Escape Plan and agreed with the Fire Officer.

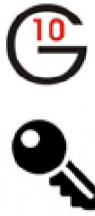
To specify function please substitute the X in the part code below with the appropriate number on the opposite page.

Spare parts are available seperately.

Prod Code
EE8000-X

	External	Internal		External	Internal
1	Key operation.	Key operation. Emergency exit 'break-dome' thumbturn for non key-holders.	8	Dead knob for use as door pull only.	Key operation. Emergency exit 'break-dome' thumbturn for non key-holders.
2	Key operation. Dead knob for use as door pull only.	Key operation. Emergency exit 'break-dome' thumbturn for non key-holders.	9	Key operation. Dead knob for use as door pull only.	Emergency exit 'break-dome' thumbturn.
3	Key operation. Emergency exit 'break-dome' thumbturn for non key-holders.	Key operation. Emergency exit 'break-dome' thumbturn for non key-holders.	10	Key operation. Emergency exit 'break-dome' thumbturn for non key-holders.	Lever handle giving free passage at all times.
4	No access at any time.	Key operation. Emergency exit 'break-dome' thumbturn for non key-holders.	11	No access at any time.	Emergency exit 'break-dome' thumbturn.
5	Key operation.	Emergency exit 'break-dome' thumbturn.	12	Emergency exit 'break-dome' thumbturn.	Emergency exit 'break-dome' thumbturn.
6	Key operation. Emergency exit 'break-dome' thumbturn for non key-holders.	Emergency exit 'break-dome' thumbturn.	13	Dead knob for use as door pull only.	Emergency exit 'break-dome' thumbturn.
7	Emergency exit 'break-dome' thumbturn.	Key operation. Emergency exit 'break-dome' thumbturn for non key holders.	14	Emergency exit 'break-dome' thumbturn.	Lever handle giving free access at all times.

Multi Point Lock



Scandinavian high security multipoint lock for doors subject to frequent violent usage.

Suitable for any environment, but particularly suitable for perimeter and security doors.

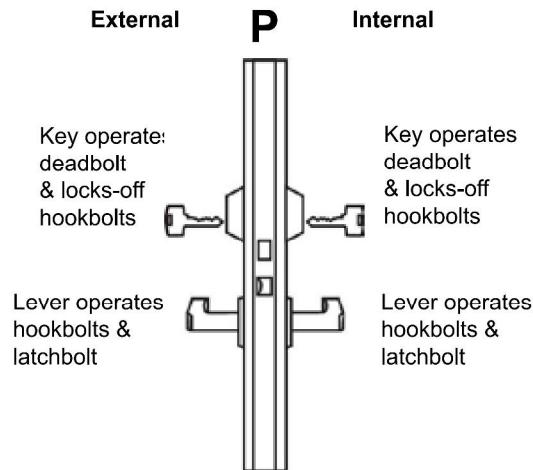
Deadbolt is thrown or retracted by a 360° turn of the key or thumbturn.

Heavy sprung latch follower suitable for unsprung lever on rose only as the handle needs to be raised.

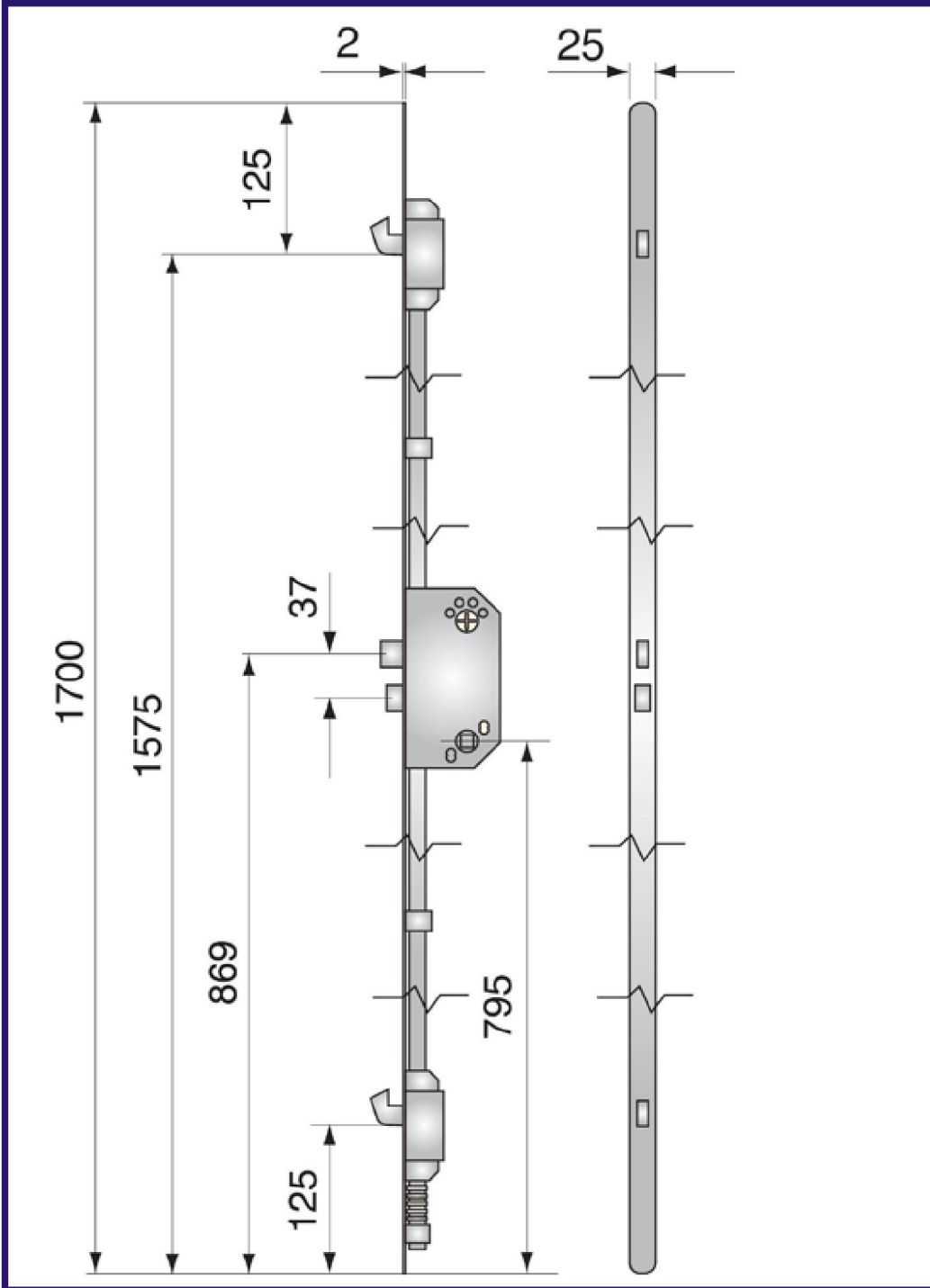
Available in bright zinc plated finish.

Available in 50mm backset.

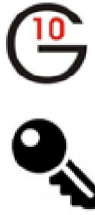
As below can be dressed in configurations P, or PT which uses an thumbturn internally.



Prod Code
MPLZ2025



Rim Lock



Security rim nightlatch that utilises a scandinavian cylinder for doors subject to frequent violent usage.

Available in black finish with polished chrome turn, not brass as pictured.

Inward or outward opening versions available.

Latchbolt auto deadlocks and auto double throws to present a square section deadbolt when locked.

This lock has an ingenious “freeflow” mode, whereby a key holder can set the nightlatch bolt to be held back.

Can also be used with the pull on page 174, which is useful for retrofits replacing existing traditional round nightlatches.

Scandinavian rim cylinder should be ordered separately and we recommend:-

Prod Code **AS4800-SRESC**

As opposite page, can be dressed in configuration I.

Backset	Prod Code
Inward Opening	AS776
Outward Opening	AS776A

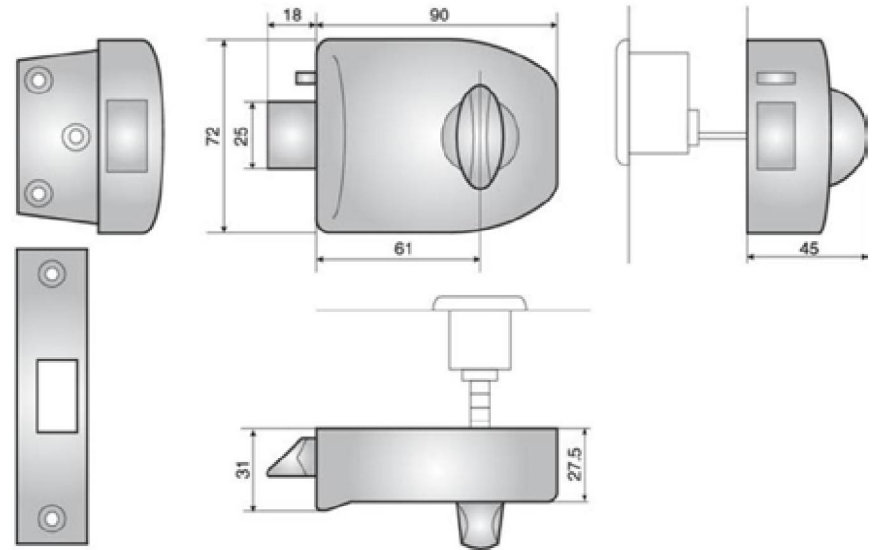
External | Internal

Key retracts latch bolt. Latchbolt automatically deadlocks



Thumbturn retracts latchbolt

Inward strike



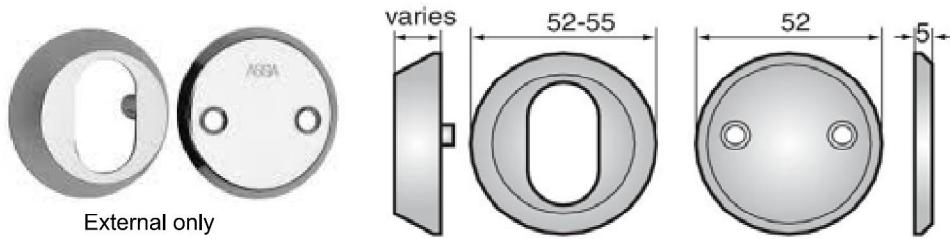
Outward strike

Cylinder Accessories

Cylinder accessories for our Scandinavian lock range.

Rings are available in depths 6, 8, 11, 13, 16 & 18mm. Come complete with all necessary fixings. Available in seven finishes.

- Satin chrome
- Polished chrome
- Satin stainless steel effect
- Polished brass
- Satin brass
- Antique brass
- Imitation bronze metal antique

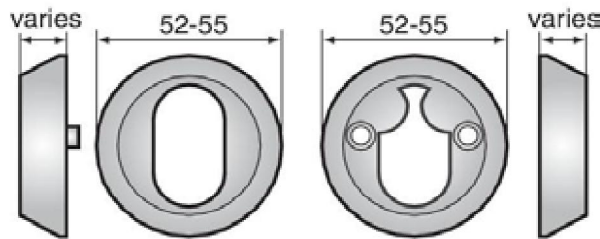


External only

Prod Code
MODA011-X



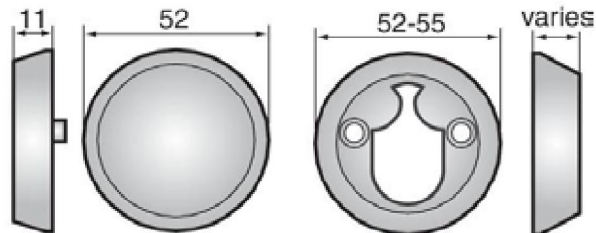
Double



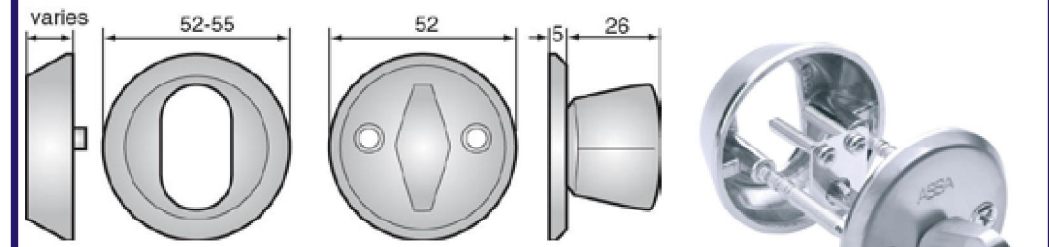
Prod Code
MODA012-X-X



Internal only



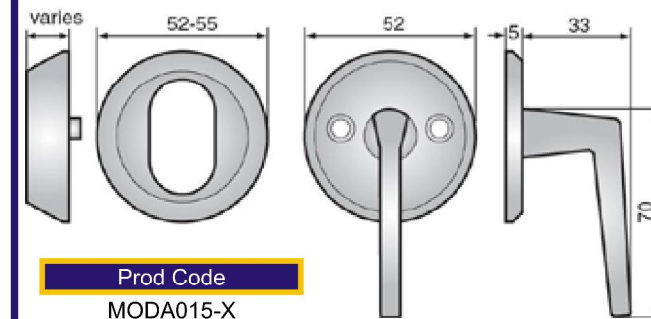
Prod Code
MODA013-X



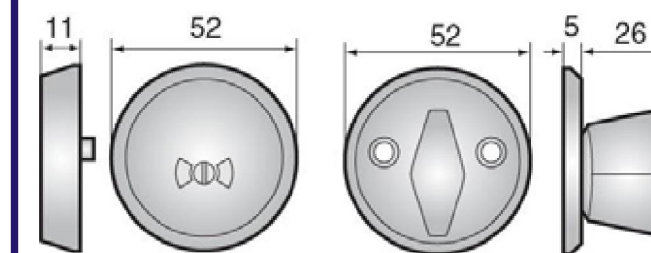
Prod Code
MODA014-X



Cylinder & turn



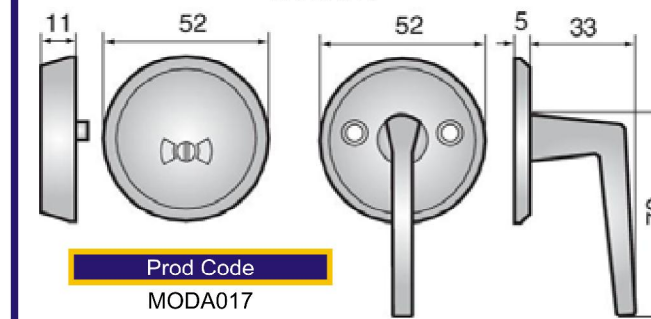
Prod Code
MODA015-X



Prod Code
MODA016



Bathroom



Prod Code
MODA017

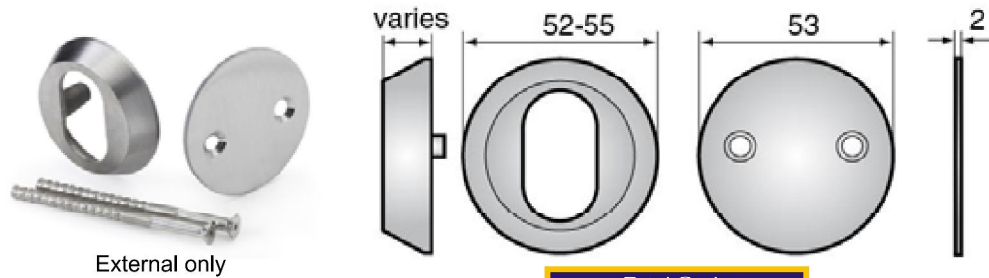
Cylinder Accessories - Stainless Steel

Cylinder accessories for our Scandinavian lock range.

Rings are available in depths 6, 8, 11, 13, 16 & 18mm. Come complete with all necessary fixings.

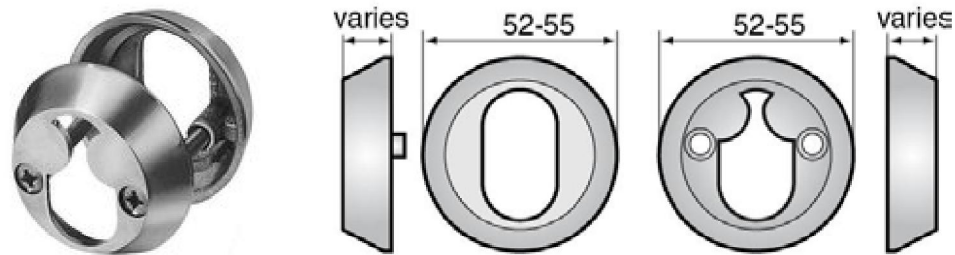
Available in two finishes.

- Grade 304 satin stainless steel
- Grade 316 satin stainless steel



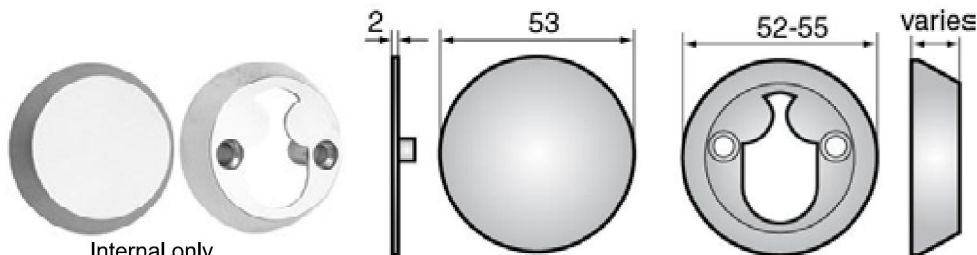
External only

Prod Code
MODA021-X-X



Double

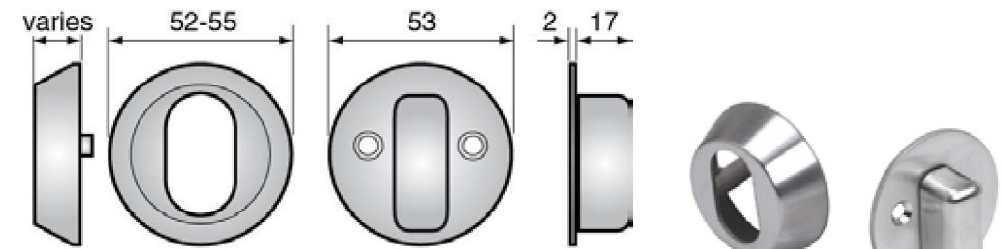
Prod Code
MODA022-X-X-X



Internal only

Image not of actual product.

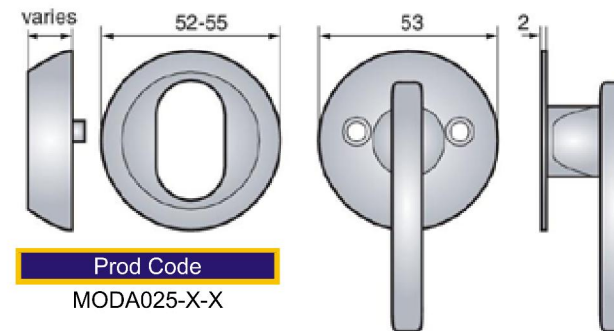
Prod Code
MODA023-X-X



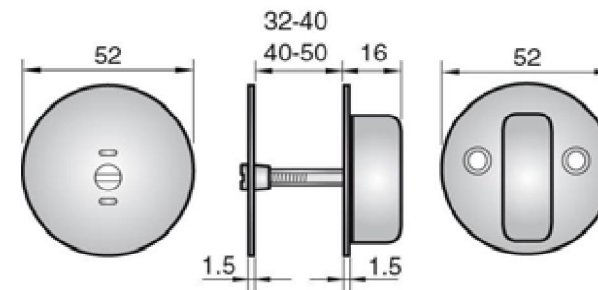
Prod Code
MODA024-X-X



Cylinder & turn



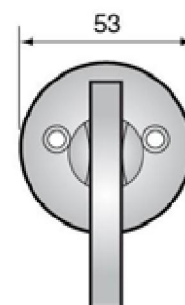
Prod Code
MODA025-X-X



Prod Code
MODA026-X



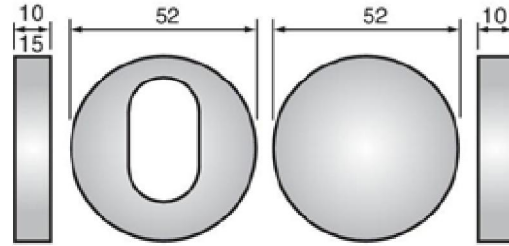
Bathroom



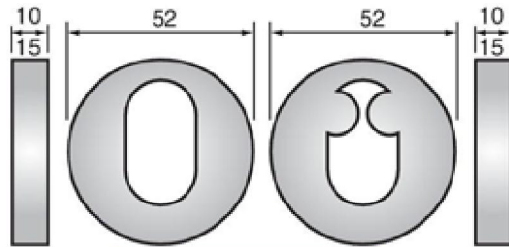
Prod Code
MODA027-X



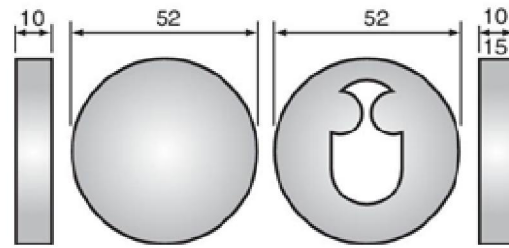
Cylinder Accessories - Satin Anodised Aluminium



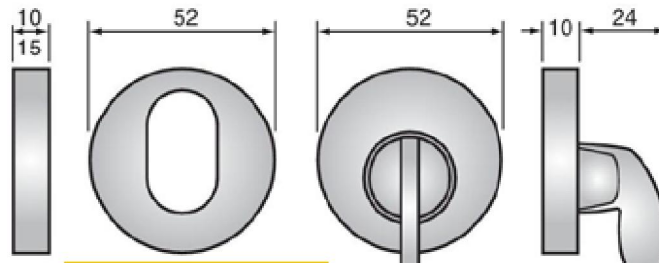
Prod Code
MODA031-X



Prod Code
MODA032-X-X



Prod Code
MODA033-X



Prod Code
MODA034-X

Cylinder accessories for our Scandinavian lock range in aluminium.

Rings are available in depths 10 and 15mm. Come complete with all necessary fixings.

Available in satin anodised aluminium finish.

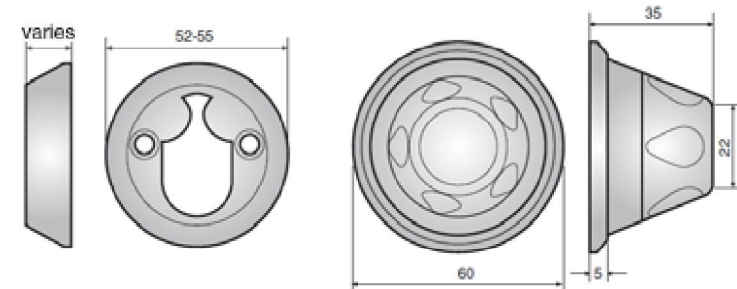
Cylinder Accessories - Anti-ligature Clutch Turn

Anti-ligature and anti-barricade turns for use with our Scandinavian lock range.

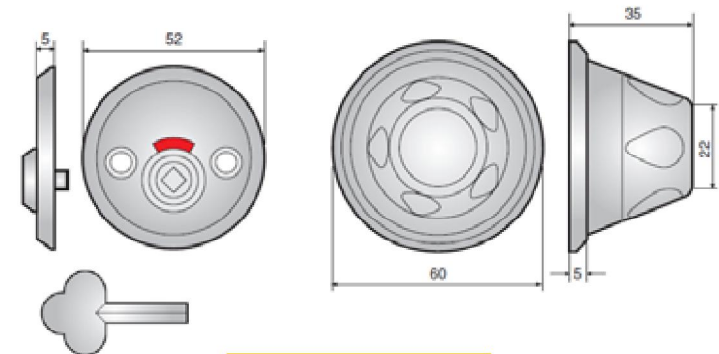
Available in cylinder and turn version or bathroom indicator and turn version.

Rings are available in depths 6, 8, 11, 13, 16 & 18mm. Come complete with all necessary fixings.

Available in satin chrome plate finish.

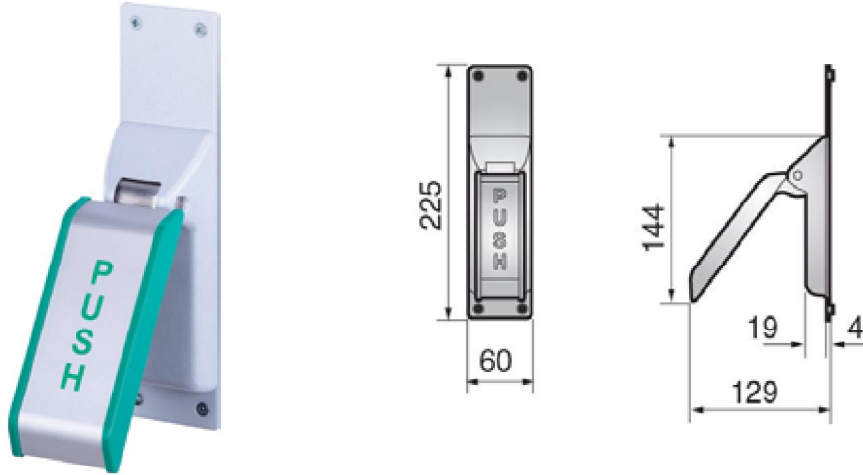


Prod Code
MODA018-X



Prod Code
MODA019-X

Push Pad



Push pad accessory for our Scandinavian locks for doors subject to a high frequency of careless use.



Suitable for any environment, but particularly suitable for high traffic doors.

Can be used to dress the sash lock on page 144 or the night latch on page 143 to achieve an escape device to EN179. External locking and access is possible.



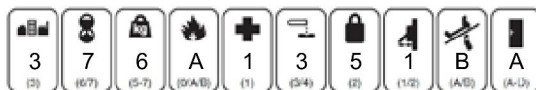
As per pages 180-183, can be used to dress in configurations U, V, W & X.

The lock case must be specified separately and 70mm backset only.



Prod Code

MOD-PAD



EN179

Push Bar



Push bar accessory for our Scandinavian locks for doors subject to a high frequency of careless use.

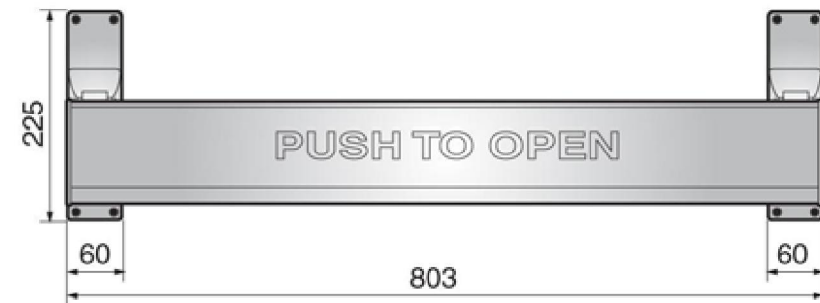
Suitable for any environment, but particularly suitable for high traffic doors.

Can be used to dress the sash lock on page 144 or the night latch on page 143 to achieve a panic device to EN1125. External locking and access is possible.

As per pages 180-183 can be used to dress in configurations U, V, W & X.

The lock case must be ordered separately and 70mm backset only.

The EN rating (below) is EN1125.



Prod Code

MOD-BAR



Digital Locks



Battery powered, digital mechanical lock and biometric lock for use with our Scandinavian lock cases.

Both units can be programmed without removing them from the door. and have a low power warning and diagnostic mode. No wiring required to the door.

Digital mechanical lock has the following features:-

- 10,000 available codes
- 9 different codes can be stored simultaneously, including a "freeflow" code
- Random trial anti-access feature

The biometric reader unit has the following features:-

- Fingerprint scanner and concealed numeric keypad for extra security
- 32 fingerprint templates and 4 digital keypad codes can be stored simultaneously

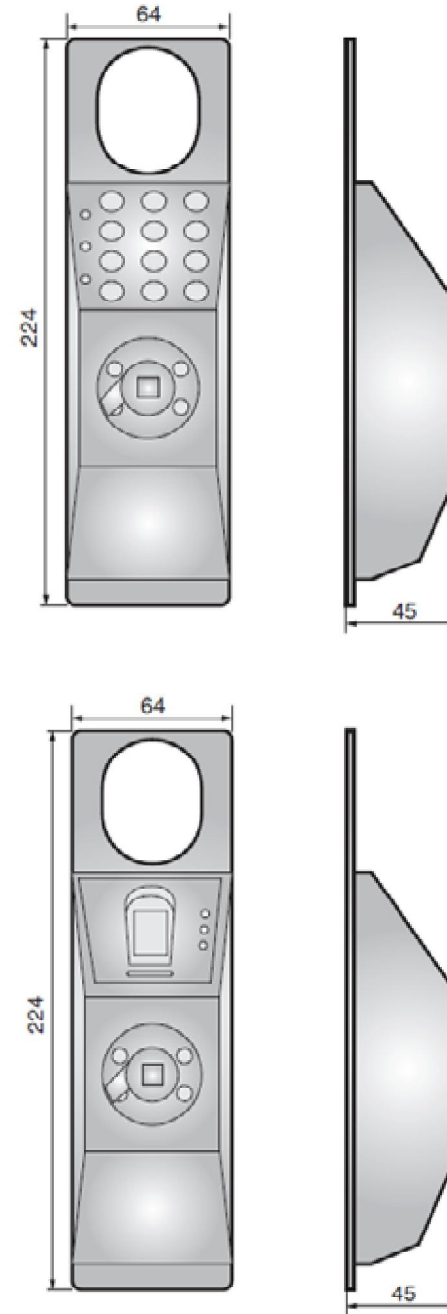
Can be used with the sash lock on page 136 and the night latch on page 143.

As per pages 180-183, can be used to dress the locks in configurations S & T.

The lock case must be ordered separately and 70mm backset only.

Cylinders and levers must be ordered separately.

Description	Prod Code
Keypad	MODA093
Biometric	MODA094



Proximity Reader Unit



Battery powered proximity card reader unit for use with our Scandinavian lock cases.

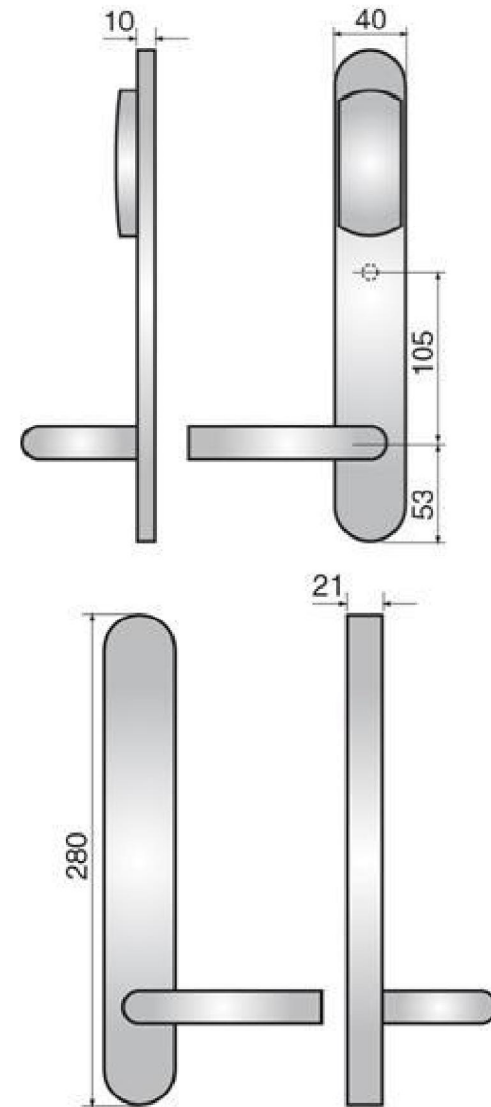
Either as part of an intergrated access control system, or for a stand alone door this unit allows the security and versatility of a scandinavian lock case on an access controlled door.

No wiring is required to the door.

Available with or without key over-ride and in a large variety of formats for additional security and audit capabilities.

Please contact us for more details, or see our Access Control Chapter for more information.

Prod Code
MODA095-X



Flip-up WC Set



Flip-up accessory pack for our Scandinavian sash lock for doors subject to frequent violent usage.

Suitable for any environment, but particularly suitable for public disabled toilet doors subject to very high traffic or subject to violent usage.

A very robust solution for public disabled toilets.

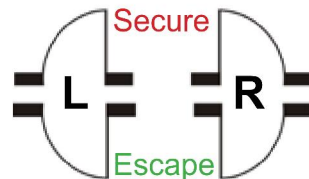
Available in satin chrome plate finish.

As per pages 180-183, can be used to dress the sash lock on page 136 to achieve configuration K.

The lock case must be ordered separately - 70mm backset meets the recommendations of Approved Document M and The Equality Act 2010.

This product is handed, pictured above is right handed version.

Hand	Prod Code
Left	MODA001L
Right	MODA001R



Slam Lock



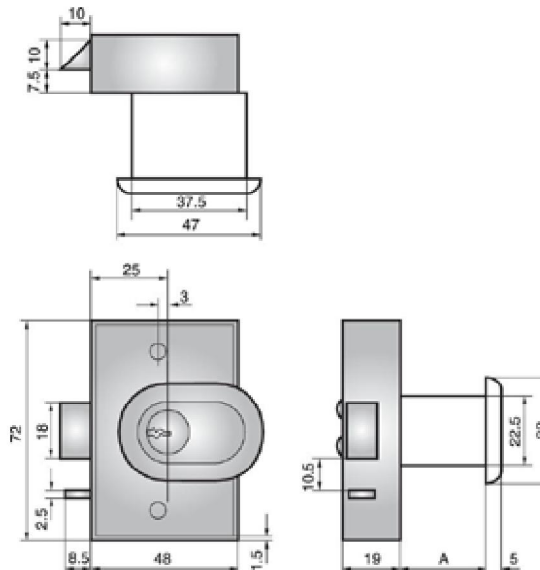
Slam lock which utilises a Scandinavian oval cylinder.

Auto deadlocking for cabinets, suitable for cash draws and drug storage etc.

Comes complete with strike plate.

Packers are available for thin board materials

The cylinder must be ordered separately.



Prod Code
MODA002

Scandinavian Levers

Our 50mm and 70mm backset Scandinavian locks are compatible with most levers on the market which have standard 38mm fixing centres and an 8mm spindle. Please see our Door Furniture chapter for our full range of 38/8 levers.

The levers on these two pages are very heavy duty levers with the original Scandinavian 30mm fixing centres and 8mm spindle. They are designed specifically for use with our Scandinavian lock cases when used in very demanding environments, and have a reputation for being extremely reliable.

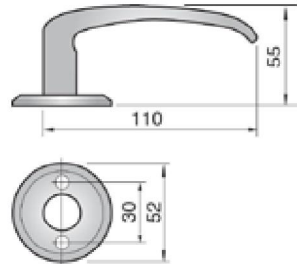
The fixings can be left visible for industrial, or critical maintenance, environments, or covered with a concealed fix rose (page 170) for architectural or clinical environments.

Manufactured from solid brass and available in polished brass finish or satin chrome plate finish.

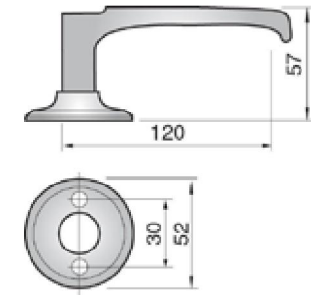
Sold in pairs complete with spindle and all necessary fixings.



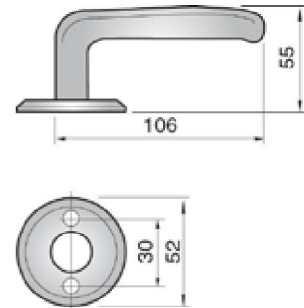
Prod Code
MODL001-X



Shown with optional rose (page 170).

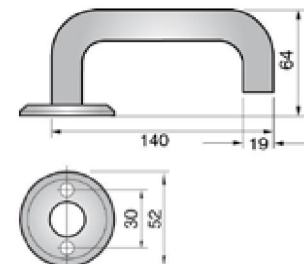


Prod Code
MODL003-X



Shown with optional rose (page 170).

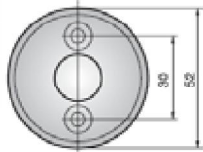
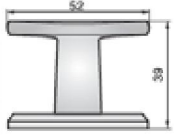
Prod Code
MODL004-X



Prod Code
MODL002-X

Scandinavian Lock Cases

Dead Knob



Dead knob for use with our Scandinavian locks.

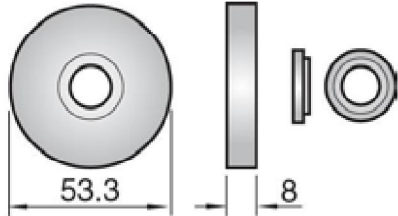
These dead knobs are easy to grip and offer a good alternative to a pull handle in heavy duty environments.

Manufactured from solid brass and available satin chrome plate finish or polished brass finish.

Sold each.

Prod Code
MODL005-X

Concealed Fix Rose



Cover rose to conceal the fixings of our levers on pages 168-169.

Sold in pairs.

Prod Code
MODL006-X



Lever with optional rose.

Scandinavian Lock Cases

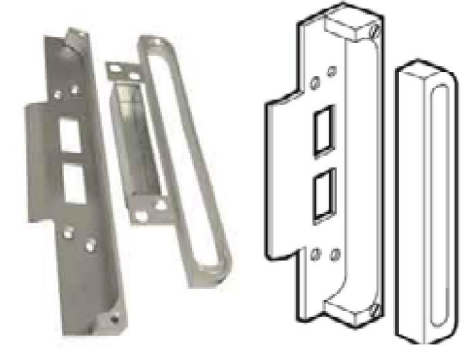
Rebate Kits

Rebate kits for our 50mm and 70mm Scandinavian lock cases.

Available in two finishes.

- Satin chrome plate
- Polished brass

Rebate	Prod Code
12mm	MODR12-X
19mm	MODR19-X
25mm	MODR25-X

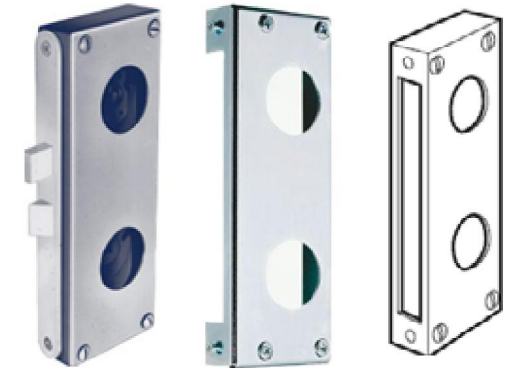


Surface Box

Surface mount box to house our 50mm Scandinavian lock cases.

Available in bright zinc plated finish.

Prod Code
MODA003

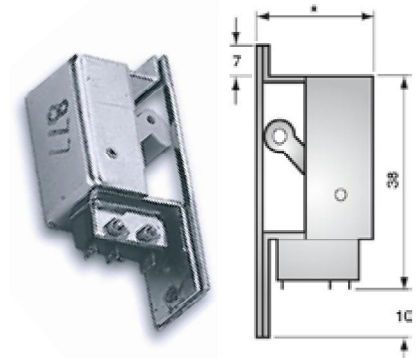


Bolt Monitors

Bolt monitor for use with our Scandinavian locks.

Versions available for monitoring latchbolt only, deadbolt only or both.

Prod Code
MODA004-X



Split follower Spindles



Spindles for use with our Scandinavian split follower locks.
Available in three lengths.
Sold each.

Length	Prod Code
43mm	SPIN-43
53mm	SPIN-53
63mm	SPIN-63

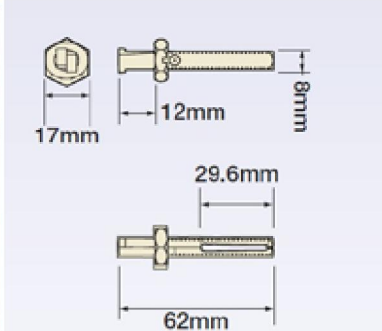
Rear fix Half Spindle



60mm spindle for mortice nightlatch with half-lever operation.
Sold each.

Prod Code
SPIN735

Lever Side Access Half Spindle



Spindles for mortice nightlatch with half-lever operation.

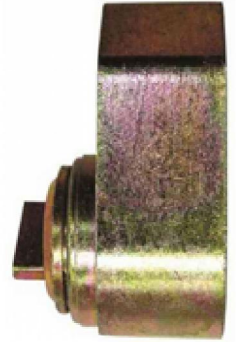
Particularly suitable for preparations from the lever side only.

Sold each.

Prod Code
SPIN7818

Scandinavian Cylinder Extenders

Cylinder extension pieces to extend Scandinavian cylinders.
The extension piece will extend the cylinder by the stated length. They can be used in multiples for extremely thick doors.



Size	Prod Code
8mm	MODA-EXT08
10mm	MODA-EXT10
12.5mm	MODA-EXT125

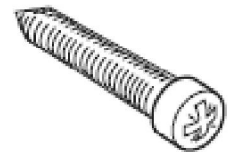


Cylinder screws

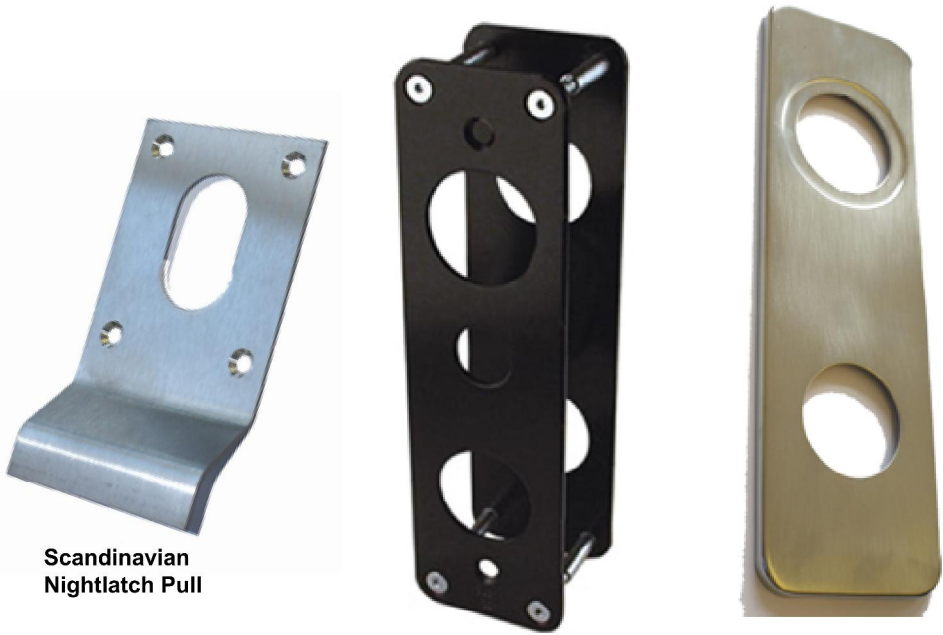
Hardened, high tensile steel cylinder screws for bolting together Scandinavian cylinders.

Available in lengths 28, 38, 43, 53, 58, 63, 65, 68, 78 and 125mm.

Please note that your cylinders will come complete with the appropriately sized screws and extenders for the stated door thickness. We show screw sizes here to indicate the maximum capacity of Scandinavian cylinders with the manufacturer's screws.



Scandinavian Plates and Covers



Scandinavian Nightlatch Pull

Anti-drill Plates

Cover Plates

Cover plates and anti drill plates for covering existing lock preparation when upgrading to our Scandinavian lock range.

Cover plate is 232mm x 70mm and is concaved behind, it is held on by the cylinder accessories and lever furniture. A version with 4 x countersunk holes for 6's screws is also available. Available in satin chrome plate finish.

Anti-drill plate fits behind the cover plate for security upgrades and comes with bolt through fixings.

The nightlatch pull is useful when upgrading an existing round cylinder installation to our scandinavian security night latch on page 152. The area that is in contact with the door is 60mm x 80mm. It is manufactured from grade 304 satin stainless steel.

Description	Prod Code
Cover plates (Pairs)	MODA090
Drill plates (Pairs)	MODA091
Nightlatch Pull (Each)	MODA092

Scandinavian Cylinder Accessories Narrow Stile

Cylinder and turn accessory for use with our 35mm backset Scandinavian lock cases.

Available in polished chrome plate finish.



Prod Code
MODN001

Double cylinder accessory for use with our 35mm backset Scandinavian lock cases.

Available in polished chrome plate finish.



Prod Code
MODN002

Scandinavian Narrow Stile Escutcheons

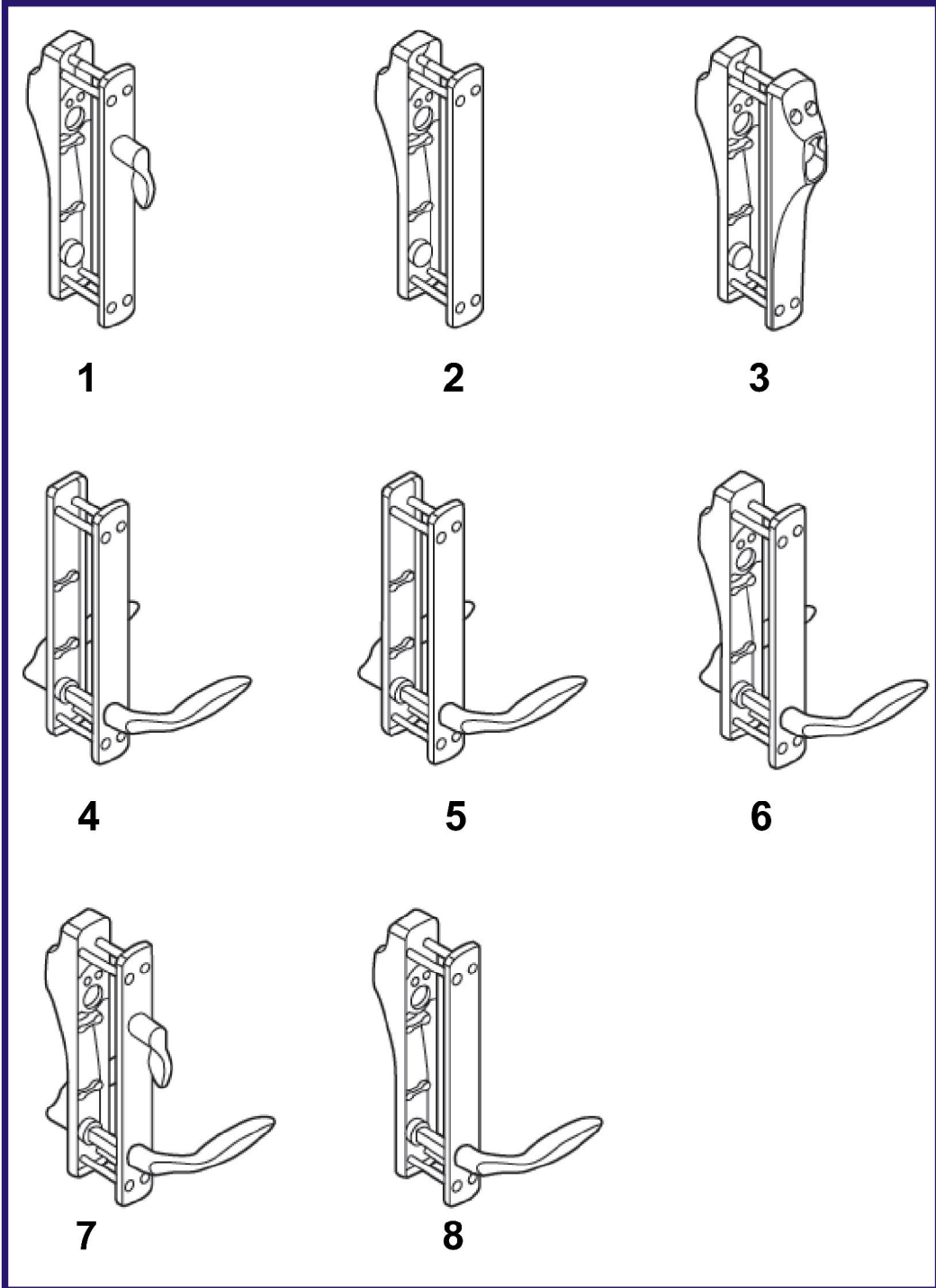
Lever accessory set for use with our 35mm Scandinavian lock cases. Please see our door furniture chapter for our full range of narrow stile levers.

Available in a variety of formats (shown opposite).

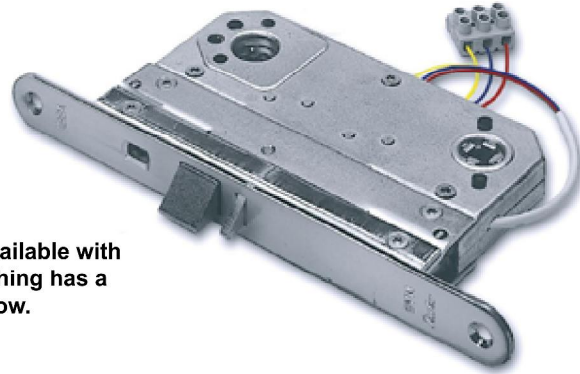
Available in polished chrome plate finish. Sold in pairs complete with spindle and all necessary fixings



Prod Code
MODN003-X



Scandinavian Microswitching



All of our Scandinavian locks are available with integral microswitching. Microswitching has a number of applications outlined below.

Monitoring of door status

The microswitch may be used to monitor whether the door is closed and locked. The switch would be linked to a status indicator such as an LED. Sophisticated access control systems require this information, and the switch would be linked to the control unit.

Monitoring of lock usage

The microswitch is used to indicate when the door is used. Either a microswitch to indicate all uses of the door or a switch which allows keyholders to unlock the door without triggering the switch. The microswitch would normally be connected to an alarm such as a buzzer or LED.

Alarm bypass (shunt lock)

A deadbolt with microswitch may be connected to an alarm system for use as a shunt lock. The lock is fitted to an alarmed door, and wired in such a way that unlocking it will temporarily bypass the alarm.

Activating the alarm

The microswitch may be connected to the building alarm system, so that operating the switch activates the alarm. For example, when used with a deadlock on a final exit door this application ensures that locking the door automatically switches on the building alarm. Unlocking the door again would deactivate the alarm.

Central locking system

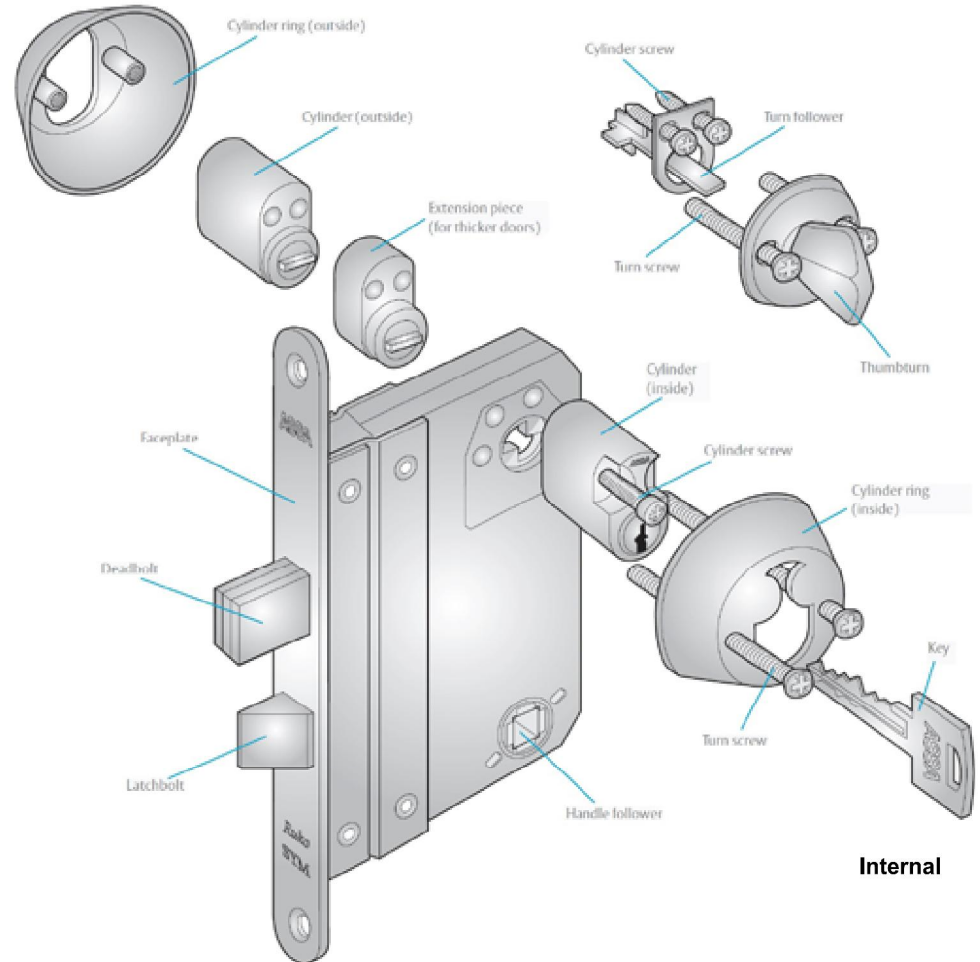
The microswitch may be linked to one or a series of electronically operated locks. Activating the microswitch causes these other locks to open or close.

Building management system

The microswitch may be linked to a Building Management or facility control system. This enables the mechanical action of operating a door or turning a key to be used to activate a wide variety of functions, including turning on the building lights and heating or activating a CCTV camera.

Scandinavian Lock Principles

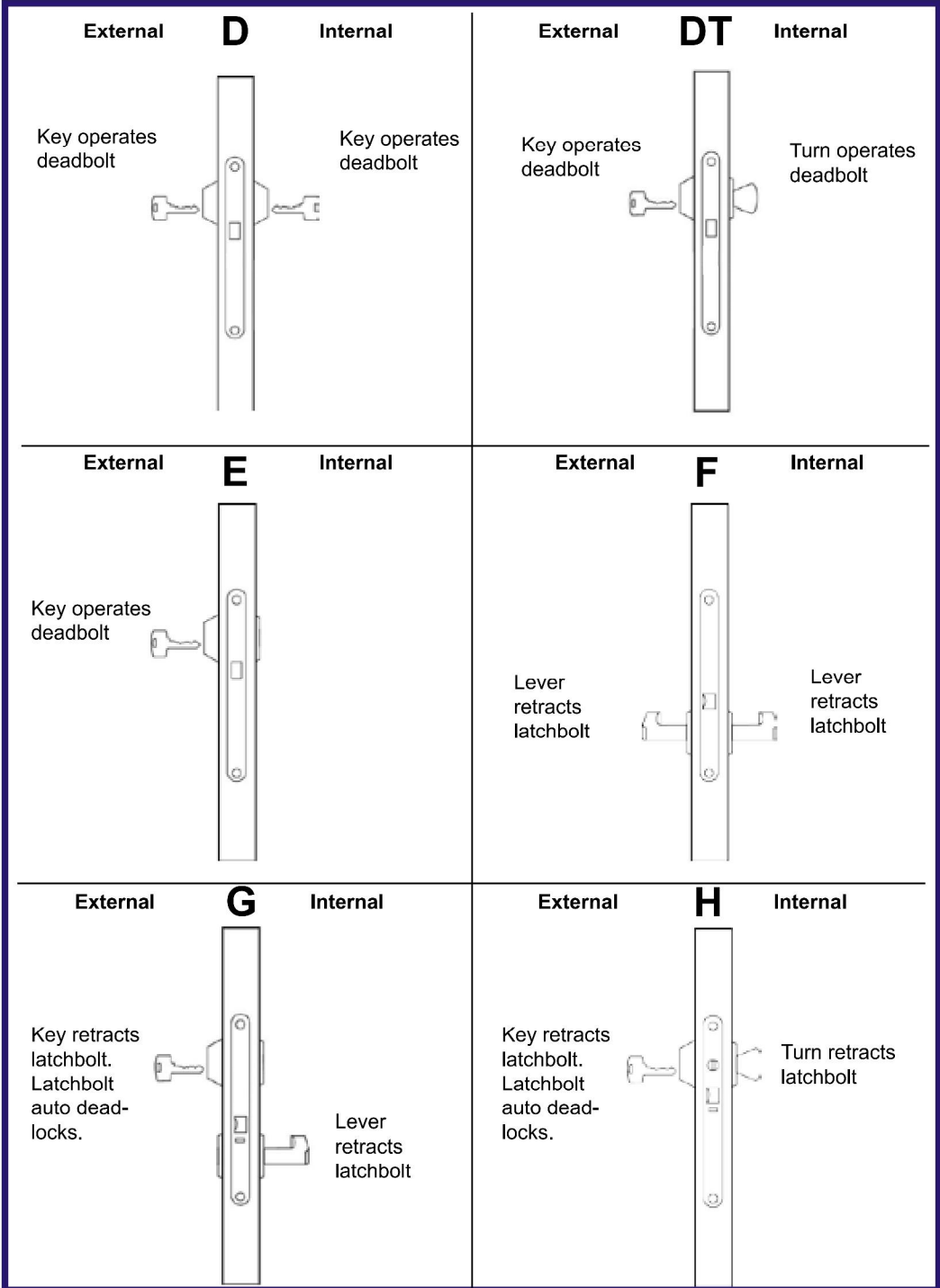
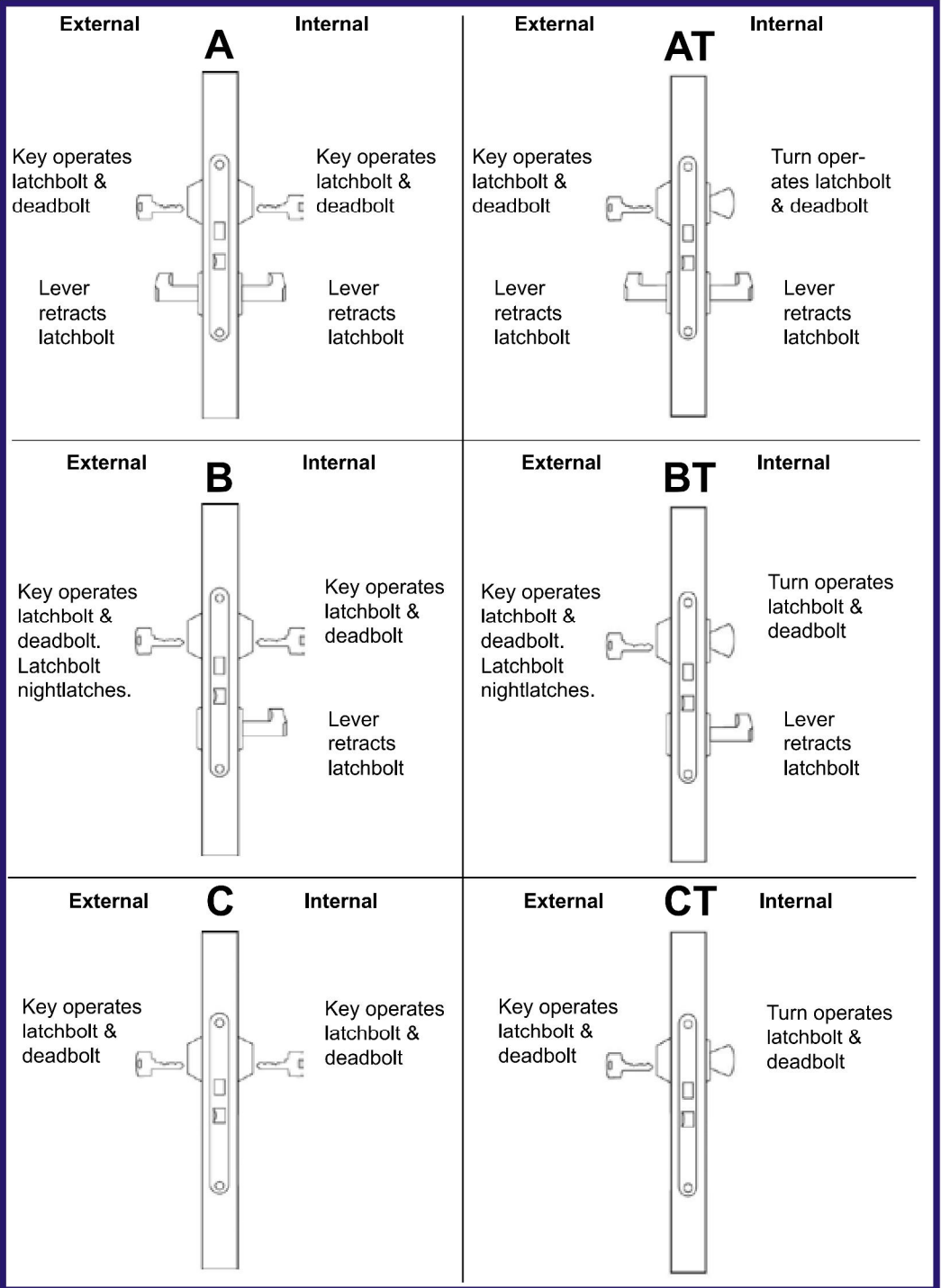
External



Internal

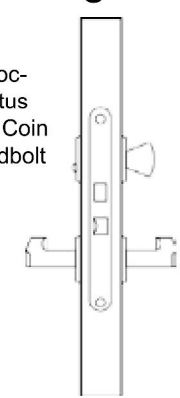
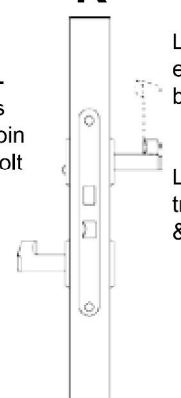
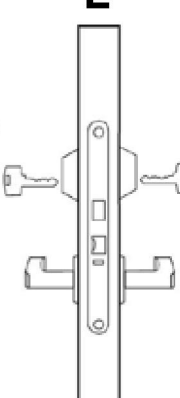
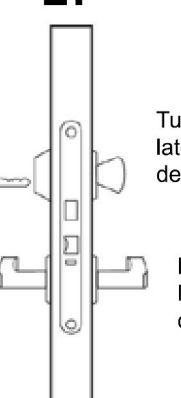
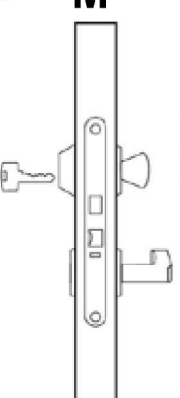
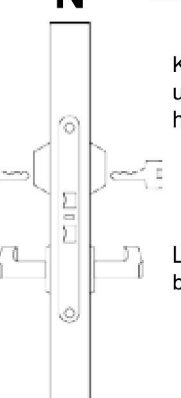
Scandinavian Lock Cases

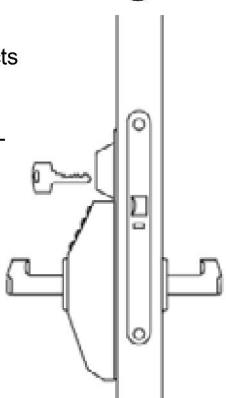
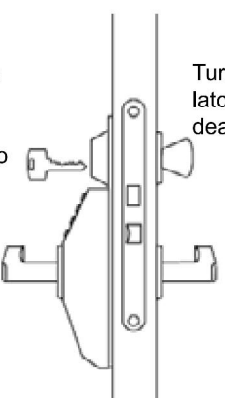

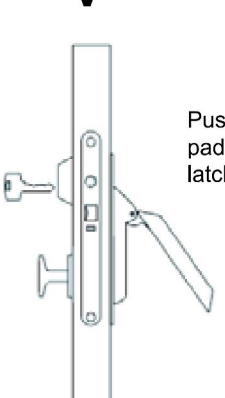
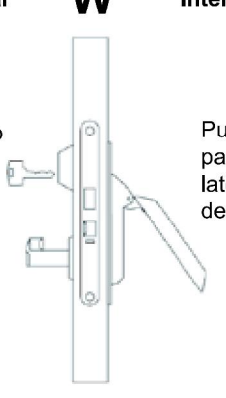
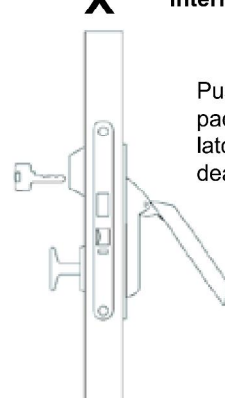
Scandinavian Lock Cases



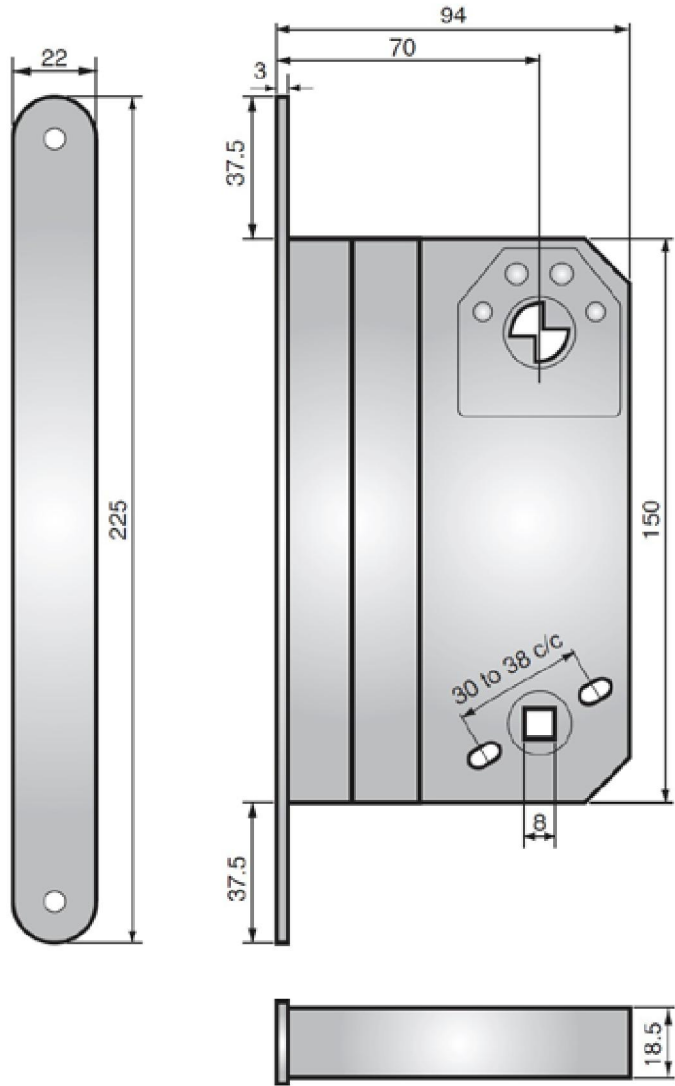
Scandinavian Lock Cases

Scandinavian Lock Cases

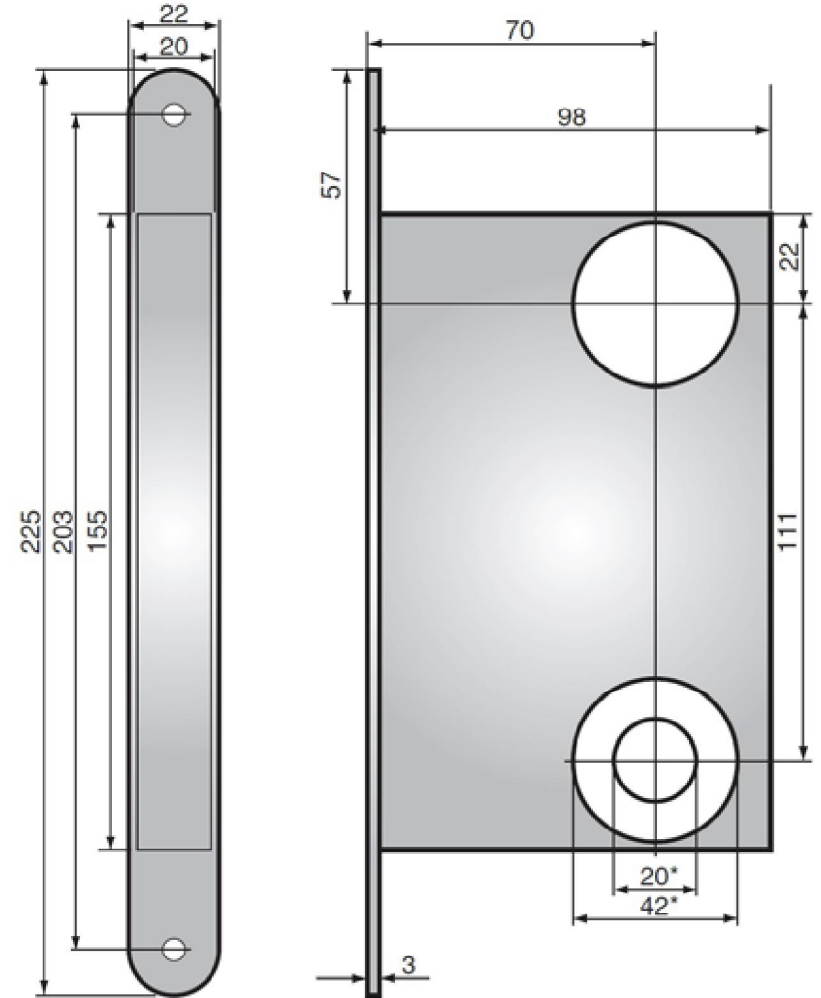
<p>External J Internal</p> <p>Indicator of occupancy status (green/red). Coin retracts deadbolt</p> <p>Lever retracts latchbolt</p>  <p>Turn operates latchbolt & deadbolt</p> <p>Lever retracts latchbolt</p>	<p>External K Internal</p> <p>Indicator of occupancy status (green/red). Coin retracts deadbolt</p> <p>Lever retracts latchbolt</p>  <p>Lever flip up engages deadbolt</p> <p>Lever down retracts deadbolt & latchbolt</p>
<p>External L Internal</p> <p>Key operates latchbolt & deadbolt</p> <p>Lever retracts latchbolt</p>  <p>Key operates latchbolt & deadbolt</p> <p>Lever retracts latchbolt & deadbolt</p>	<p>External LT Internal</p> <p>Key operates latchbolt & deadbolt</p> <p>Lever retracts latchbolt</p>  <p>Turn operates latchbolt & deadbolt</p> <p>Lever retracts latchbolt & deadbolt</p>
<p>External M Internal</p> <p>Key operates latchbolt & deadbolt. Latchbolt auto deadlocks</p>  <p>Turn operates latchbolt & deadbolt</p> <p>Lever retracts latchbolt & deadbolt</p>	<p>External N Internal</p> <p>Upper latchbolt automatically deadlocks. Key retracts both latchbolts</p> <p>Lever retracts lower latchbolt</p>  <p>Key controls upper latchbolt hold-back</p> <p>Lever retracts both latchbolts</p>

<p>External S Internal</p> <p>Key retracts latchbolt. Latchbolt auto deadlocks</p> <p>Lever retracts latchbolt if correct code entered</p>  <p>Lever retracts latchbolt</p>	<p>External T Internal</p> <p>Key operates latchbolt and deadbolt. Latchbolt auto locks</p> <p>Lever retracts latchbolt if correct code entered</p>  <p>Turn operates latchbolt & deadbolt</p> <p>Lever retracts latchbolt</p>
<p>External U Internal</p> <p>Latchbolt auto deadlocks</p>  <p>Push bar or pad retracts latchbolt</p>	<p>External V Internal</p> <p>Key retracts latchbolt. Latchbolt auto deadlocks</p> <p>Dead knob to pull door</p>  <p>Push bar or pad retracts latchbolt</p>
<p>External W Internal</p> <p>Key operates latchbolt & deadbolt. Latchbolt auto deadlocks</p> <p>Lever retracts latchbolt</p>  <p>Push bar or pad retracts latchbolt & deadbolt</p>	<p>External X Internal</p> <p>Key operates latchbolt & deadbolt. Latchbolt auto deadlocks</p> <p>Dead knob to pull door</p>  <p>Push bar or pad retracts latchbolt & deadbolt</p>

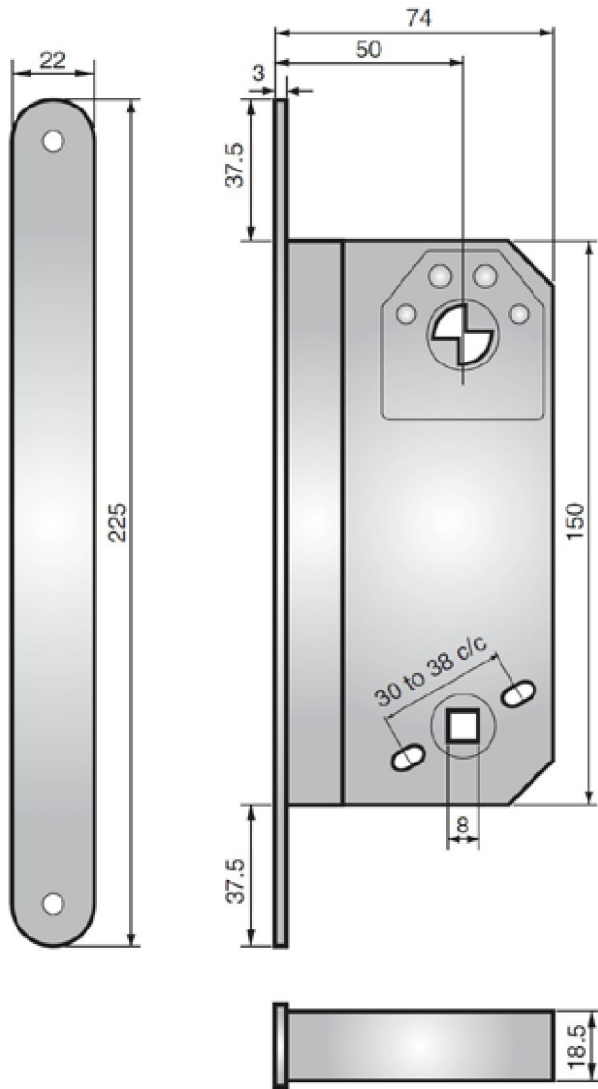
70mm Backset Scandinavian Locks



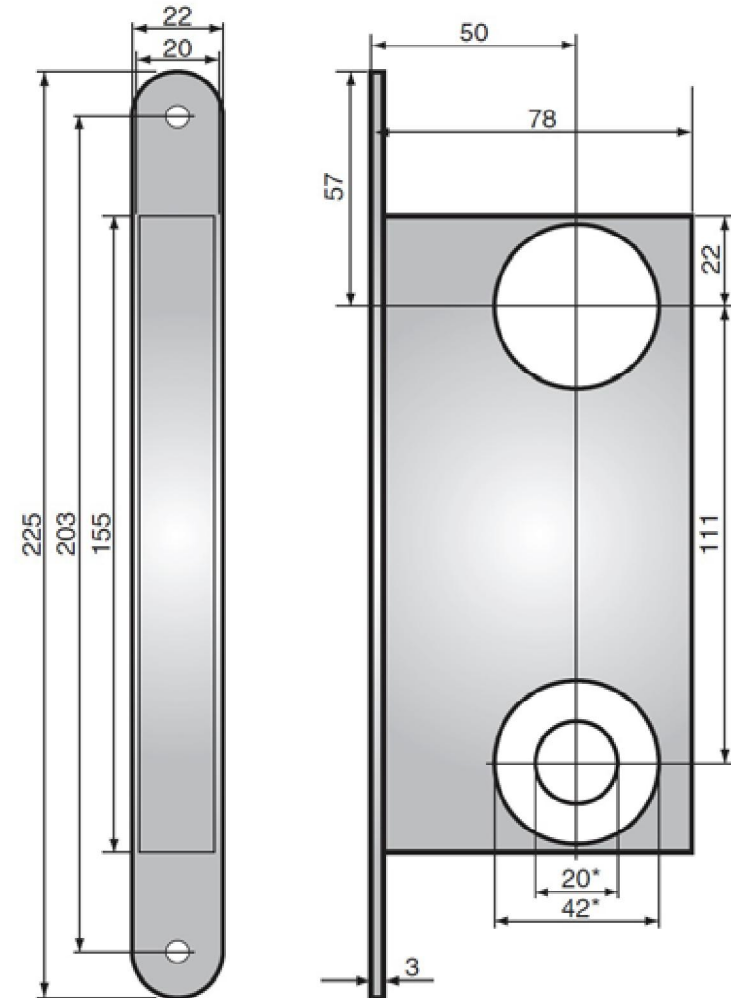
Door Preparation



50mm Backset Scandinavian Locks

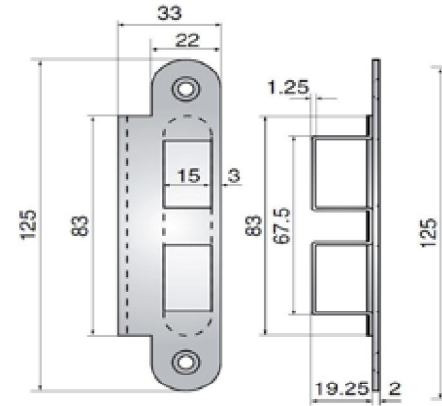
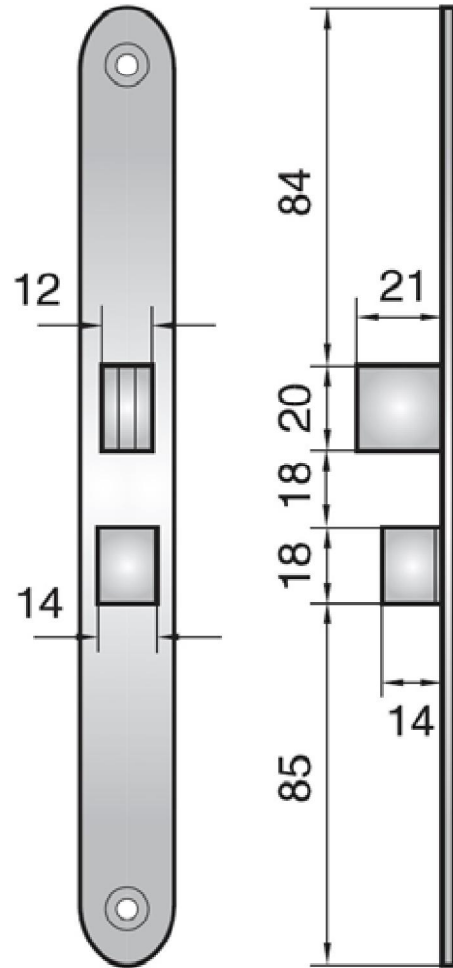


Door Preparation

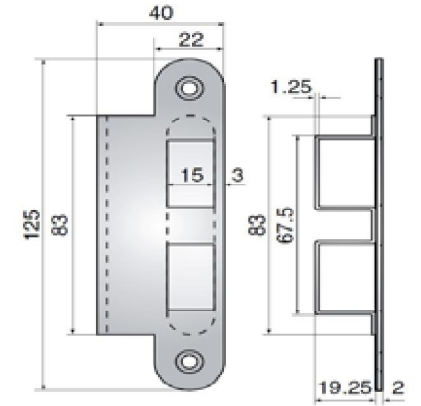


50mm & 70mm Backset Scandinavian Locks

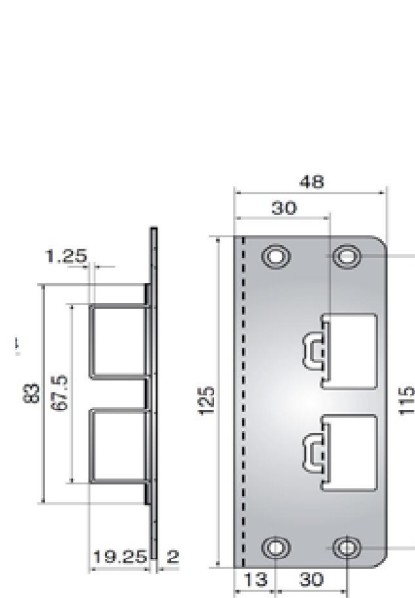
Sash Locks



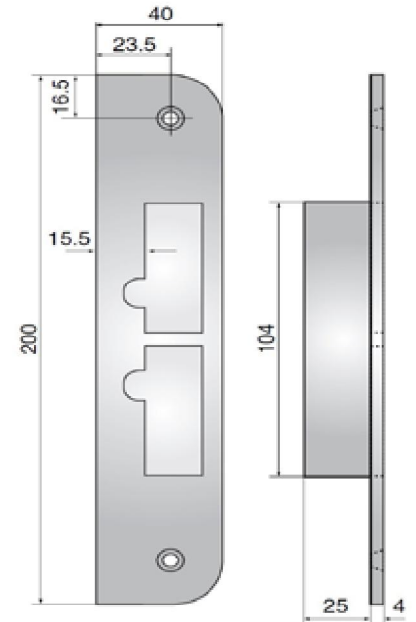
Keep A



Keep B (standard)



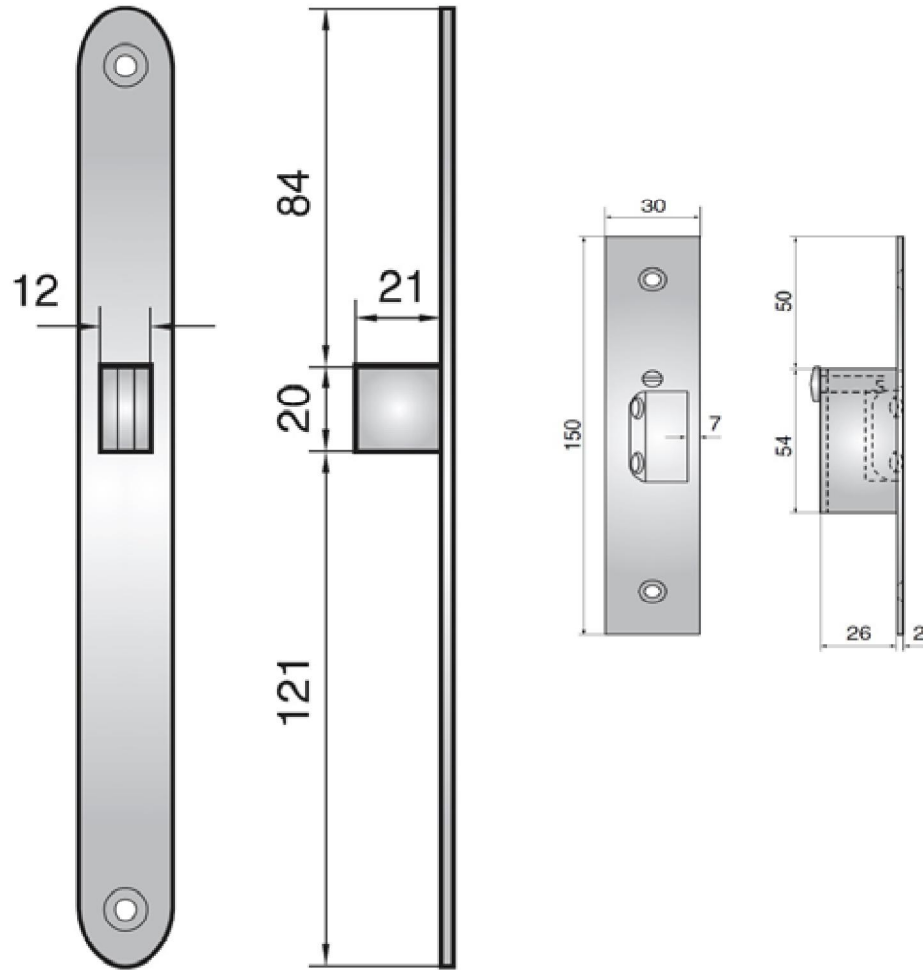
Keep C



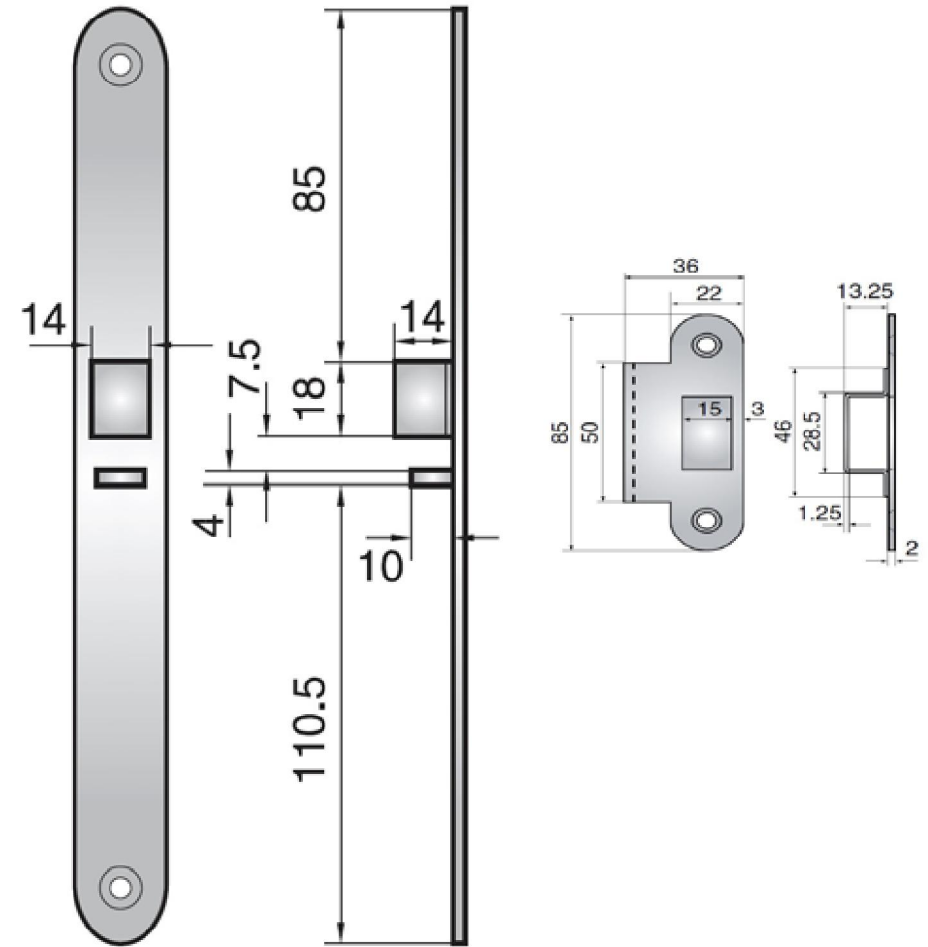
Keep D
(Standard for HS)

50mm & 70mm Backset Scandinavian Locks

Dead Locks

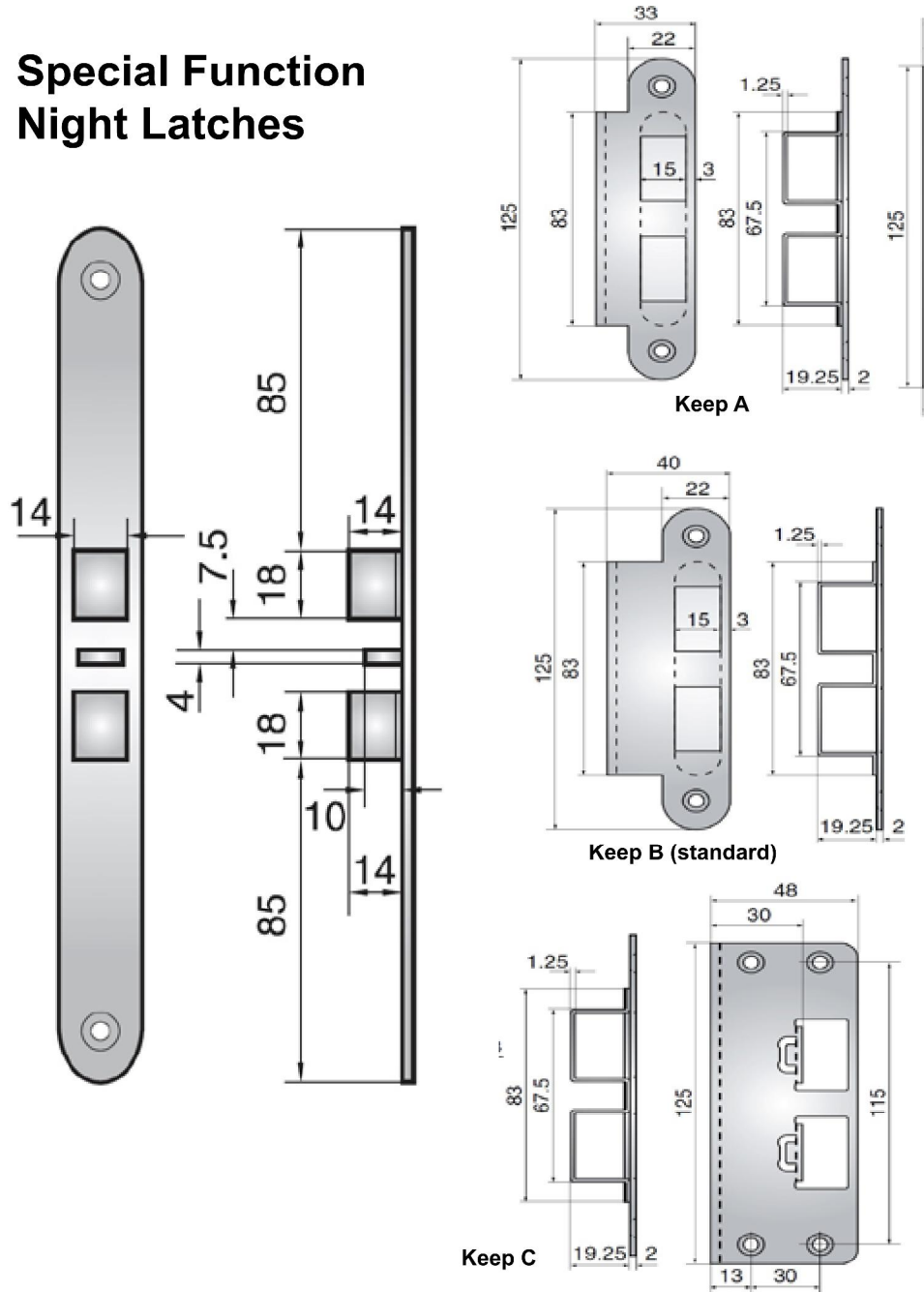


Night Latches

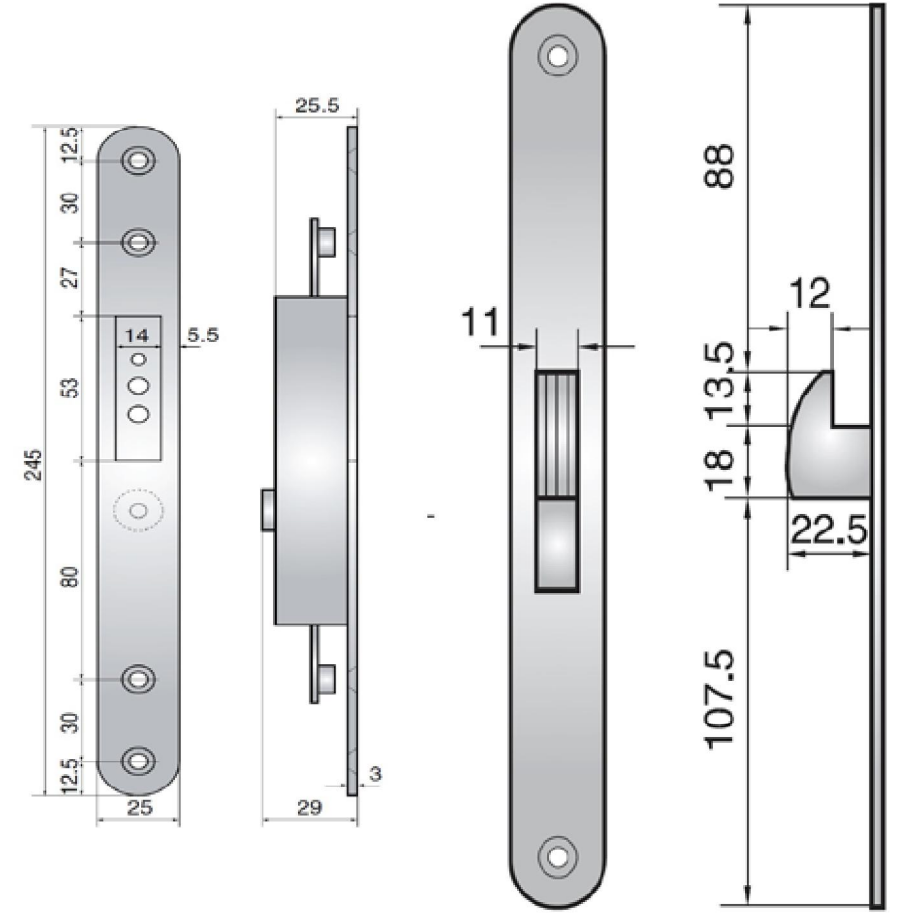


50mm & 70mm Backset Scandinavian Locks

Special Function Night Latches



Hook Bolt



35mm Backset Scandinavian Locks

Basis for all 35mm versions

